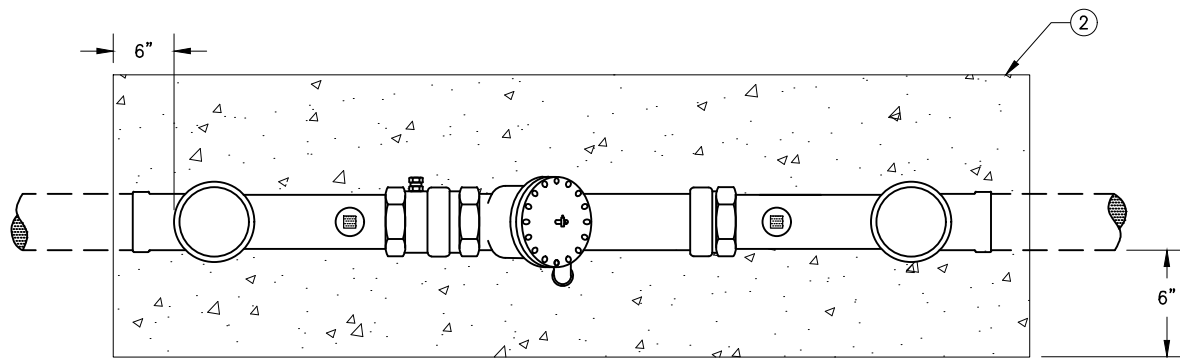


PROFILE VIEW:
NOT TO SCALE



PLAN VIEW:
NOT TO SCALE


CONSTRUCTION NOTES

- ① REDUCED PRESSURE PRINCIPAL BACKFLOW AND DOUBLE CHECK PREVENTION ASSEMBLY. DEVICE SHALL BE APPROVED BY THE UNIVERSITY OF SOUTHERN CALIFORNIA (USC) FOUNDATION FOR THE CROSS-CONNECTION AND HYDRAULIC RESEARCH APPROVED LIST (WWW.USC.EDU/DEPT/FCCCHR/LIST.HTML).
- ② 6" THICK CONCRETE PAD, WHERE INSTALLATION IS NOT WITHIN A CONCRETE AREA. REINFORCED WITH W1.4 X W1.4 WELD WIRE MESH. CONCRETE MIX SHALL BE 560-C-3250.

GENERAL NOTES

- 1. ALL BACKFLOW PREVENTION DEVICES SHALL BE LOCATED ABOVE GROUND, AND INSTALLED AS CLOSE AS PRACTICAL TO THE WATER METER AND SHALL BE INSTALLED IN A LOCATION THAT IS READILY ACCESSIBLE FOR TESTING AND MAINTENANCE AS APPROVED BY THE UTILITIES DEPARTMENT. BACKFLOW DEVICES SHALL NOT BE INSTALLED ON CITY PROPERTY.
- 2. IMMEDIATELY AFTER INSTALLATION, RELOCATION OR REPAIR, ALL BACKFLOW PREVENTION DEVICES SHALL BE TESTED BY A CERTIFIED TESTER APPROVED BY THE CITY. NO SERVICE SHALL BE TURNED ON UNTIL THE DEVICE IS TESTED AND CERTIFIED AFTER INSTALLATION.
- 3. RISERS AND TUBING SHALL BE TYPE "K" RIGID COPPER AND ALL FITTINGS SHALL BE SOLDER-JOINT TYPE (OR THREADED BRASS) PER UNIFORM PLUMBING CODE.
- 4. CITY MAY REQUIRE AN APPROVED ENCLOSURE AROUND BACKFLOW.

FORMER CITY STANDARD PLAN NUMBER (2004 EDITION): STD 520-L-A

APP. 	51568	11/24/2020			
CITY ENGINEER	RCE	DATE	NO.	DATE	DESCRIPTION OF REVISIONS

CITY OF NEWPORT BEACH DEPARTMENT OF PUBLIC WORKS

DRAWN: M. ELIAS	1" THROUGH 2" REDUCED PRESSURE PRINCIPLE AND DOUBLE CHECK BACKFLOW DEVICE	STANDARD DRAWING NO.
DATE: 11/3/2020		519-A
		SHEET 1 OF 1