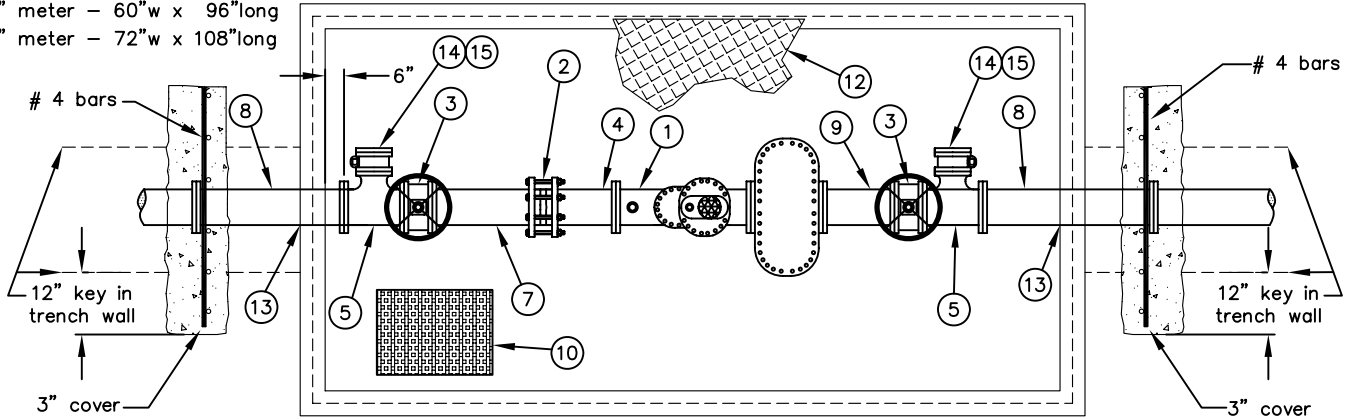


VAULT SIZING:

minimum dimensions:
 4" meter - 48"w x 84"long
 6" meter - 60"w x 96"long
 8" meter - 72"w x 108"long

Profile View: not to scale



Plan View: not to scale

Construction Notes:

- ① Compact, single register, high performance, compound meter w/ attached in line meter strainer. Contact C.N.B. Utilities Dept. for specs. & approved manufacturers.
- ② Ductile iron flex coupling. Ford, Romac, Dresser or approved equivalent.
- ③ Resilient seated gate valve with hand wheel operator & flanged ends.
- ④ Class 52, mortar lined, D.I.P. spindle piece (FOE.) 12" long. Fabricate with harness lugs.
- ⑤ FE, compact (short body pattern), mortar lined ductile iron tee. Branch dia. to be 2" less than run dia. ie., 8" x 6" tee. To be replaced w/ 2" corp stop and saddle where main line is 4".
- ⑥ 8" thick concrete slab or precast concrete vault floor of equal specification. Reinforced with W1.4 x W1.4 weld wire mesh. Concrete shall be C-560-3250 mix. Vault manufacturer shall be as approved by C.N.B. Utilities Dept. Call 644-3011
- ⑦ Class 52, mortar lined, D.I.P. spindle piece (FOE.) 18" long. Fabricate integrally with harness assembly lugs.
- ⑧ Class 52, mortar lined, D.I.P. spool piece (FBE). 48" long.
- ⑨ Class 52, mortar lined, D.I.P. spool piece (FBE). 6" or 12" long.
- ⑩ Recessed cast iron sump grate. Alhambra Foundry or equivalent.
- ⑪ Adjustable steel pipe support, hot dip galvanized after fabrication per STD-522-L. Paint to match piping and valving.
- ⑫ Diamond plate aluminum cover. Spring assisted, two piece cover with locking, hinged, round meter reading lids centered over each meter. Special design required for traffic loading applications.
- ⑬ "Link-Seal" mechanical piping seal in annular space between pipe O.D. & round, precast vault opening or hydraulic cement with prior city approval.
- ⑭ 4" diameter resilient seated gate valve with buried service square operator nut and flanged ends.
- ⑮ 4" or proper size to valve blind flange. ANSI rated 125 lbs.

General Notes:

- 1. All above grade piping shall be painted with an Alkyd Enamel paint system consisting of a 2 mil primer coat and two (2) coats of 2 mils (each) high gloss enamel. Color shall be white, blue or red.
- 2. All below grade ductile iron fittings and piping shall be encased with an 8 mil polyethylene wrap in accord with the AWWA standards.
- 3. All flange joints shall be connected with type 316 stainless steel fasteners. Mechanical joint shall be joined with either malleable iron or self-weathering CorTen Steel.

CITY OF NEWPORT BEACH
 PUBLIC WORKS DEPARTMENT

**WATER METER ASSEMBLY
 (COMPOUND METER)**

APPROVED:

RCE NO. 36106

PUBLIC WORKS DIRECTOR

Drawn: M. Elias

Scale: N.T.S.

Date: Jan. 2004

F:\USERS\PBW\Shared\CAD STD\ STD Details\2003 - Std\STD Water

DRAWING NO.

STD-514-L