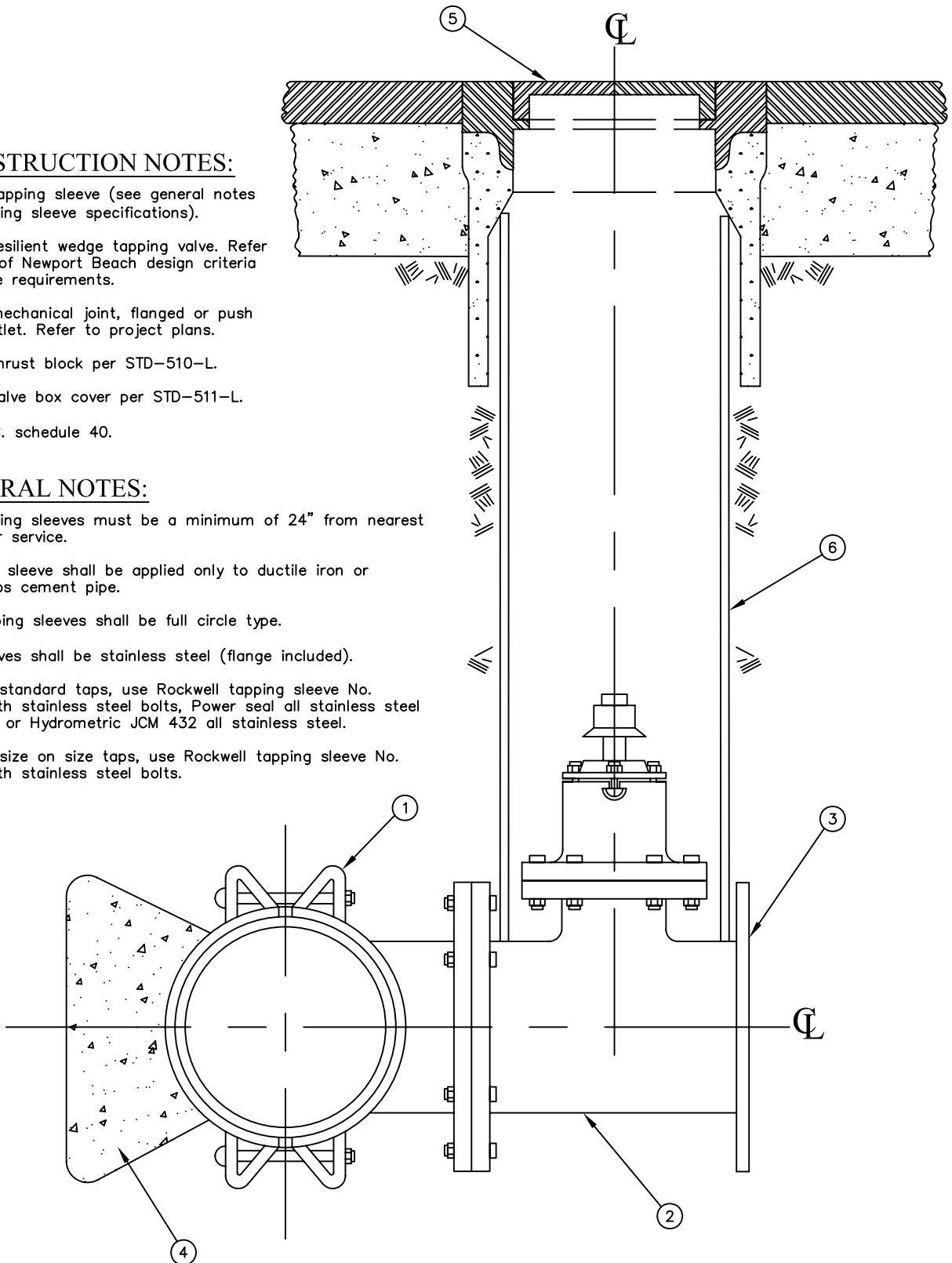


**CONSTRUCTION NOTES:**

- ① Install tapping sleeve (see general notes for tapping sleeve specifications).
- ② Install resilient wedge tapping valve. Refer to City of Newport Beach design criteria for valve requirements.
- ③ Install mechanical joint, flanged or push joint outlet. Refer to project plans.
- ④ Install thrust block per STD-510-L.
- ⑤ Install valve box cover per STD-511-L.
- ⑥ 8" P.V.C. schedule 40.

**GENERAL NOTES:**

- 1. All tapping sleeves must be a minimum of 24" from nearest joint or service.
- 2. Tapping sleeve shall be applied only to ductile iron or asbestos cement pipe.
- 3. All tapping sleeves shall be full circle type.
- 4. All sleeves shall be stainless steel (flange included).
- 5. For all standard taps, use Rockwell tapping sleeve No. 662 with stainless steel bolts, Power seal all stainless steel #4390, or Hydrometric JCM 432 all stainless steel.
- 6. For all size on size taps, use Rockwell tapping sleeve No. 663 with stainless steel bolts.



CITY OF NEWPORT BEACH  
PUBLIC WORKS DEPARTMENT

**WATER MAIN TAP**

APPROVED:

PUBLIC WORKS DIRECTOR

RCE NO. 36106

Drawn: M. Elias

Scale: N.T.S.

Date: Jan. 2004

F:\USERS\PBW\Shared\CAD\_STD\STD Details\2003 - Std\STD Water

DRAWING NO.

**STD-507-L**