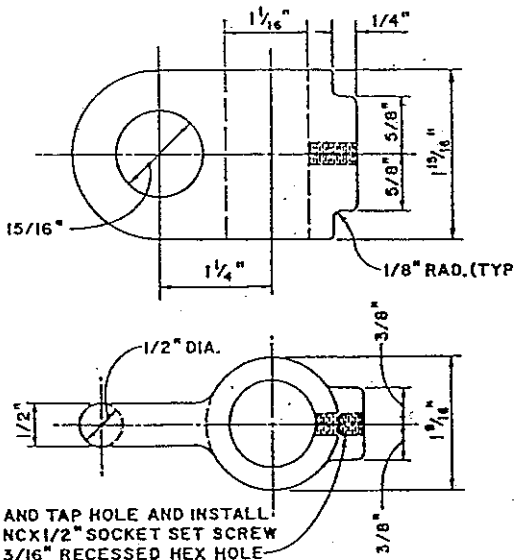
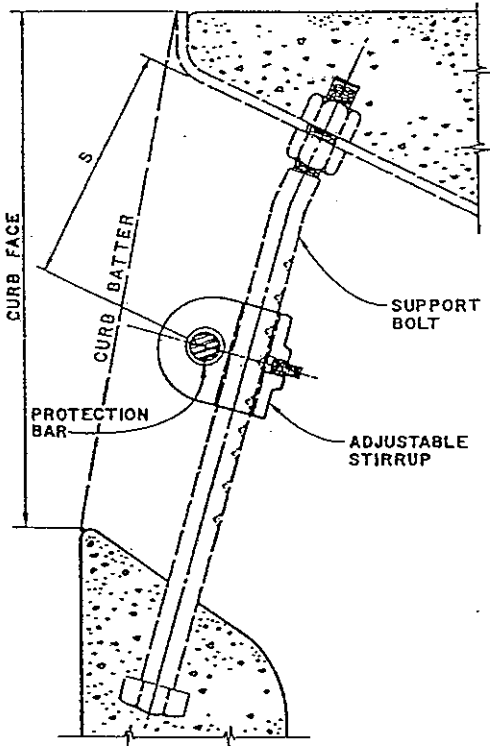
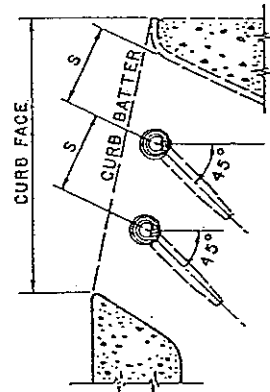
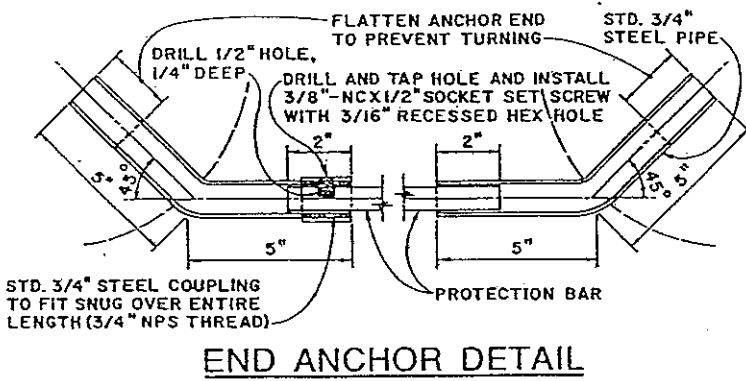
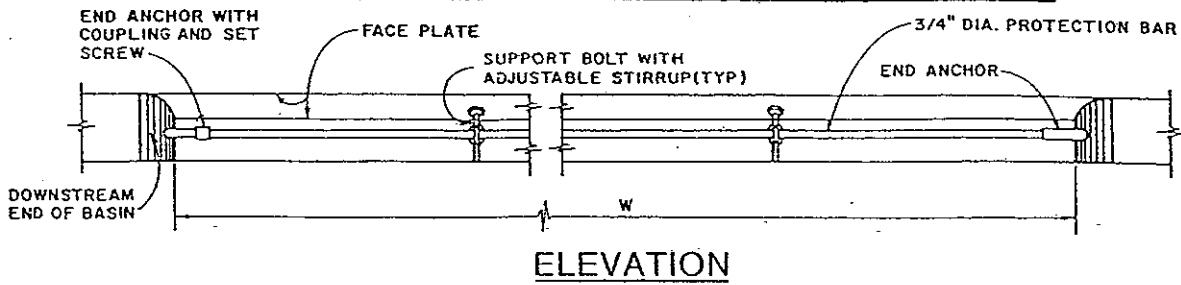


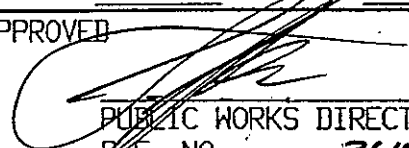
PROTECTION BAR AND SUPPORT BOLT(S) WITH ADJUSTABLE STIRRUP(S) — (TYPE A)



ADOPTED FROM AMERICAN PUBLIC WORKS ASSOCIATION STANDARD PLAN 310-0

CITY OF NEWPORT BEACH
PUBLIC WORKS DEPARTMENT

CATCH BASIN PROTECTION BAR
WITH ADJUSTABLE STIRRUP(S)

DRAWN F.T. DATE 1/15/91
 APPROVED 
 PUBLIC WORKS DIRECTOR
 R.E. NO. 36106
 DRAWING NO. STD-316-L-D