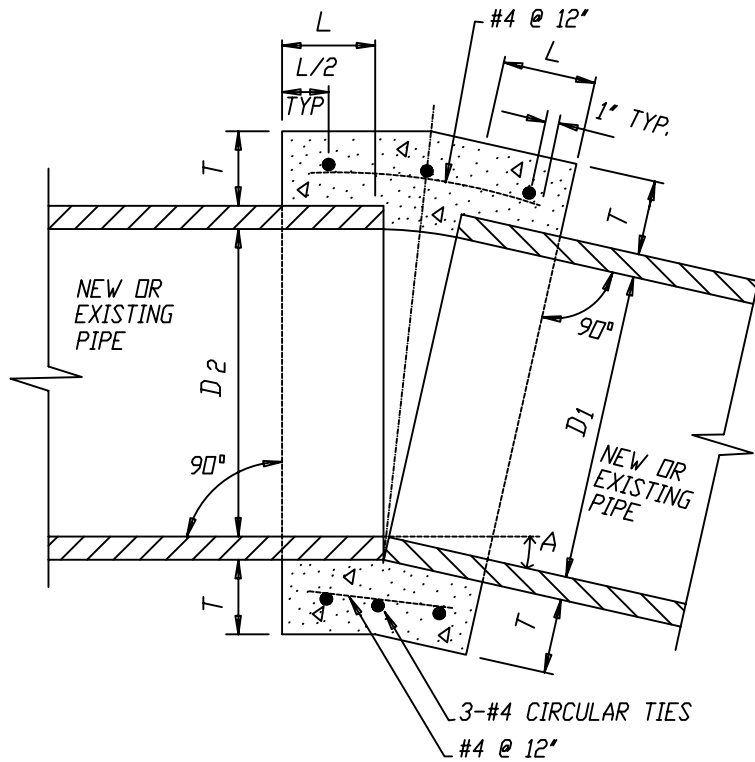


| D | L | T |
|-----|-------|-----|
| 12" | 1.0' | 4" |
| 18" | 1.0' | 5" |
| 24" | 1.0' | 6" |
| 36" | 1.5' | 8" |
| 48" | 1.5' | 10" |
| 57" | 1.5' | 10" |
| 60" | 1.75' | 11" |
| 66" | 1.75' | 11" |



NOTES:

1. A CONCRETE COLLAR IS REQUIRED WHERE THE CHANGE IN GRADE EXCEEDS 0.10 FT. PER FT.
2. WHERE PIPES OF DIFFERENT DIAMETERS ARE JOINED WITH A CONCRETE COLLAR, L AND T SHALL BE THOSE OF THE LARGER PIPE. $D = D_1$ OR D_2 WHICHEVER IS GREATER.
3. FOR PIPES LARGER THAN 66" A SPECIAL COLLAR DETAIL IS REQUIRED.
4. FOR PIPE SIZE NOT LISTED USE NEXT SIZE LARGER.
5. OMIT REINFORCING ON PIPES 24" AND LESS IN DIAMETER AND ON ALL PIPES WHERE ANGLE A IS LESS THAN 10.°
6. WHERE REINFORCING IS REQUIRED THE DIAMETER OF THE CIRCULAR TIES SHALL BE $D + (2 \times \text{WALL THICKNESS}) + 8"$.
7. WHEN D_1 IS EQUAL TO OR LESS THAN D_2 JOIN INVERTS AND WHEN D_1 IS GREATER THAN D_2 JOIN SOFFITS.
8. PIPE MAY BE CORRUGATED METAL PIPE, CONCRETE PIPE OR REINFORCED CONCRETE PIPE.

REV. 9/93

CITY OF NEWPORT BEACH
PUBLIC WORKS DEPARTMENT

CONCRETE PIPE COLLAR
FOR PIPES 12" THRU 66"

APPROVED:

DIRECTOR OF PUBLIC WORKS
R.C.E. NO. 12806

DATE 3 Dec 1993

SCALE N.T.S.

DRAWN M. GRACIA

STD-313-L