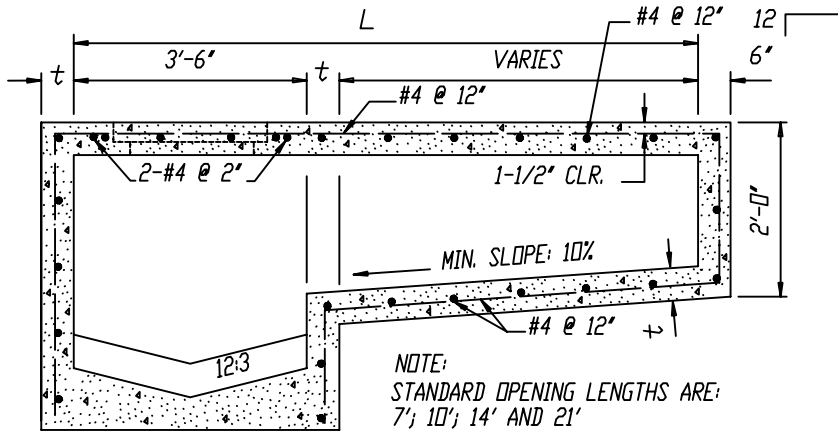


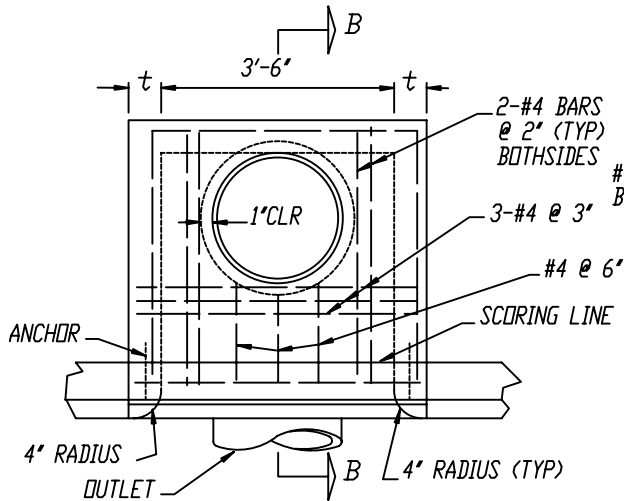
SECTION C-C



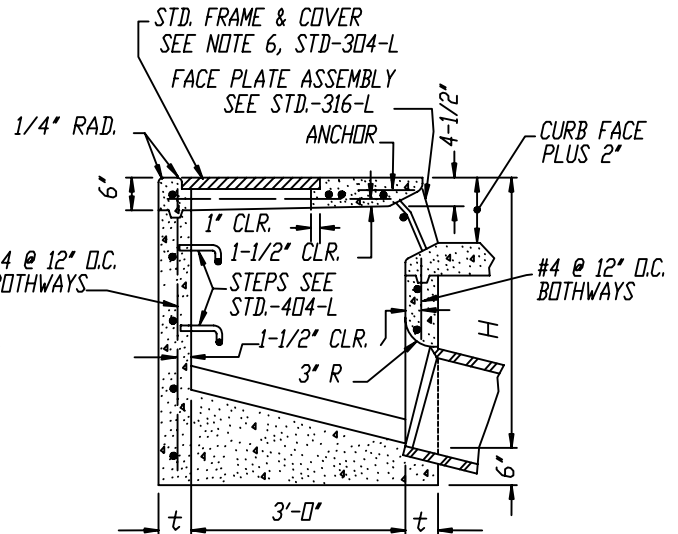
SECTION A-A

H	t
8' OR LESS	6"
8'-1" TO 20'	8"

NOTE:
FOR GENERAL NOTES AND LOCAL
DEPRESSION SEE STD.-304-L.



PLAN - INLET TYPE OS



SECTION B-B

REF: STDS. 300-L; 304-L; AND 404-L.

REV. 9/93

CITY OF NEWPORT BEACH
PUBLIC WORKS DEPARTMENT

CURB INLET TYPE OL
CURB INLET TYPE OS

APPROVED:

DIRECTOR OF PUBLIC WORKS
R.C.E. NO. 12806

DATE 15 Nov 1993

SCALE N.T.S.

DRAWN M. GRACIA

STD-306-L