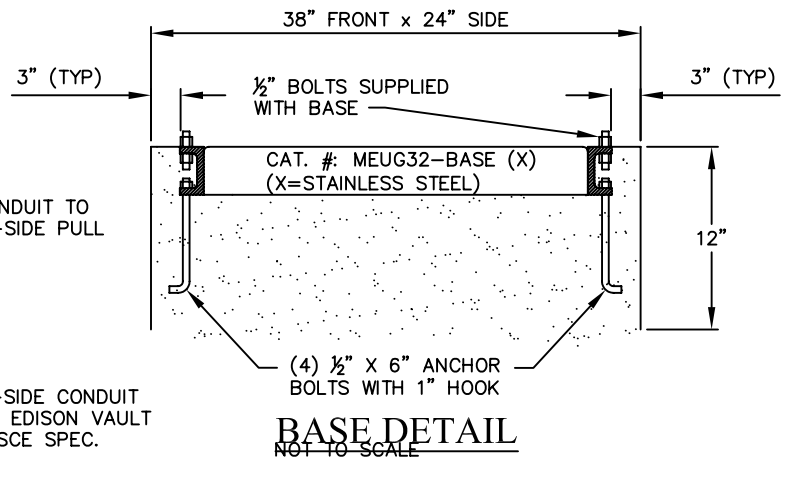
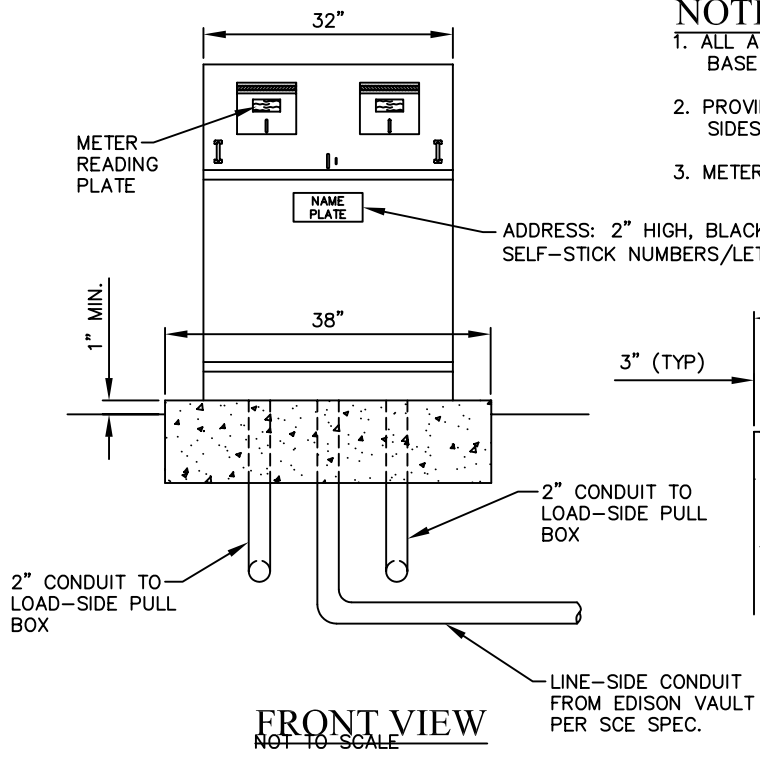


MYERS CABINET MODEL NO. MEUG32X-M100/M100 C/SS WITH (2) WINDOW AND METER SOCKET (STAINLESS STEEL) 1 PHASE 3 WIRE 120-240 VOLT 100 AMP MAIN CIRCUIT BREAKER AND SPACE FOR SIX 2 POLE CIRCUIT BREAKERS INSTALLED PER MANUFACTURER'S SPECIFICATIONS.

NOTES:

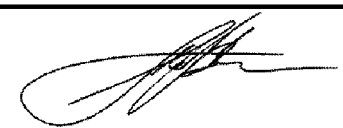
1. ALL ANCHORING HARDWARE, MOUNTS, NUTS, BOLTS AND BASE SHALL BE STAINLESS STEEL
2. PROVIDE 3 FT. CLEARANCE AROUND CABINET ON ALL SIDES, UNLESS OTHERWISE NOTED.
3. METER FACES STREET.



CITY OF NEWPORT BEACH
PUBLIC WORKS DEPARTMENT

**DOUBLE - METER CABINET
MOUNTING DETAIL**

APPROVED:



PUBLIC WORKS DIRECTOR

RCE NO. 36106

Scale: N.T.S.

Drawn: M. Elias

Date: Jan. 2004

F:\USERS\PBW\Shared\CAD\STD\STD Details\2003_Std\STD SCLight

DRAWING NO. **STD-207-L**