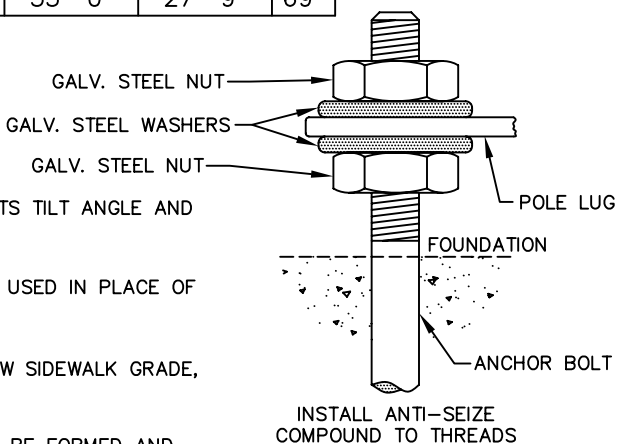


H.P.S. CUTOFF LUMINAIRE (FOR 70, 100, 150, 200 OR 250 WATT LAMP) WITH ENCLOSED REGULATOR TYPE BALLAST PHOTO ELECTRIC CELL RECEPTACLE, CHARCOAL FILTERED OPTICAL ASSEMBLY, AND TYPE III DISTRIBUTION. G.E. M250 A2 REMOVABLE POWER MODULE DOOR LUMINAIRE CUT OFF OPTICS OR PRE-APPROVED EQUAL.

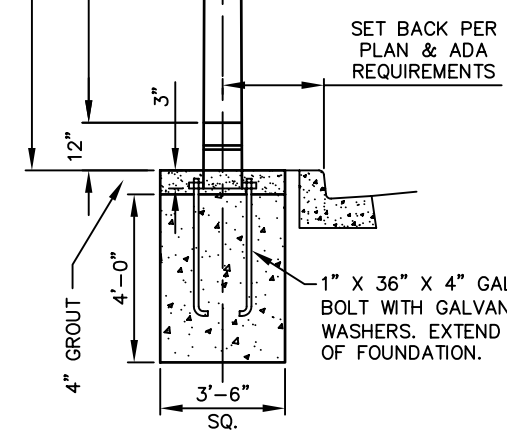
AMERON CAT. NO.	BRACKET		MOUNTING HEIGHT	POLE HEIGHT	R
	ARM	TILT			
1-J2-23-JS6	6'	5°	29'-6"	23'-1"	36"
1-J3-28-J8	8'	5°	35'-0"	27'-9"	69"

NOTES:

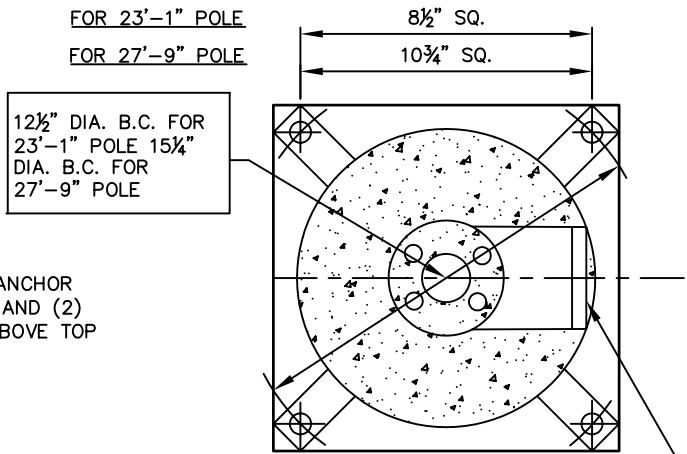
- BRACKET ARM, MOUNTING AND POLE HEIGHTS TILT ANGLE AND LAMP SIZE TO BE SHOWN ON PLANS.
- 4'-0" DIA. CIRCULAR FOUNDATION MAY BE USED IN PLACE OF 3'-6" SQ. FOUNDATION.
- ALL BASES SHALL BE POURED TO 4" BELOW SIDEWALK GRADE, TO ALLOW FOR GROUT.
- THE AREA AROUND ALL STANDARDS SHALL BE FORMED AND POURED WITH GROUT TO EXTEND 6" ON EACH SIDE AND BACK OF STANDARD AND FROM BACK OF CURB TO FRONT OF STANDARD. GROUT SHALL BE POURED FROM TOP OF BASE TO SIDEWALK GRADE. GROUT SHALL CONSIST OF 2 PARTS SAND AND 1 PART CEMENT.
- EACH POLE SHALL HAVE A PULL BOX, SEE STD-204-L.
- FUSE HOLDER IN ADJACENT PULL BOX, SEE STD-205-L.
- ALL THREADED CONNECTIONS SHALL HAVE PRE-APPROVED ANTI-SEIZE COMPOUND.
- SEE POLE LEVELING DETAIL ABOVE.
- FOR POLE WIRING, SEE CNB STD-205-L.



LEVELING DETAIL




ELEVATION



BASE DETAIL

CITY OF NEWPORT BEACH
PUBLIC WORKS DEPARTMENT

LIGHTING STANDARD
TYPE IV

APPROVED: 

RCE NO. 36106 PUBLIC WORKS DIRECTOR

Drawn: M. Elias Scale: N.T.S.

Date: Jan. 2004

DRAWING NO. **STD-203-L**