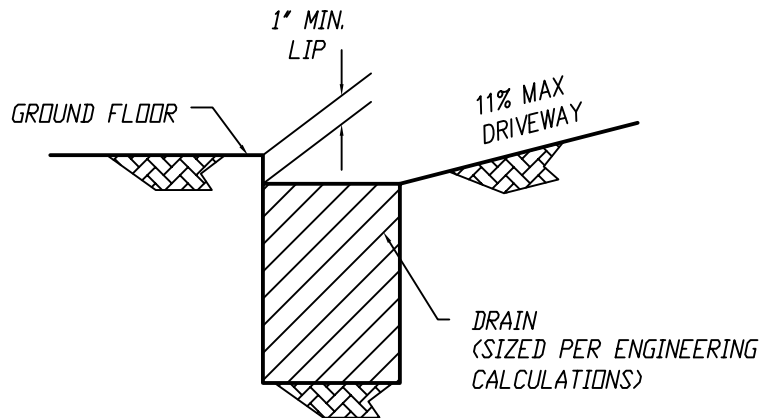


### TYPE "B"

GARAGE FINISHED FLOOR ELEVATION  
BELOW/EQUAL TOP OF CURB



### DETAIL 1

CITY OF NEWPORT BEACH  
PUBLIC WORKS DEPARTMENT

## SAMPLE DRIVEWAY PROFILE (TYPE "B")

APPROVED:

  
PUBLIC WORKS DIRECTOR

RCE NO. 36106

Drawn: M. Wagner

Scale: N.T.S.

Date: January, 2004

F:\USERS\PBW\Shared\CAD\_STD\  
STD Details\2003\_Sid

DRAWING NO.

STD-160-L-C