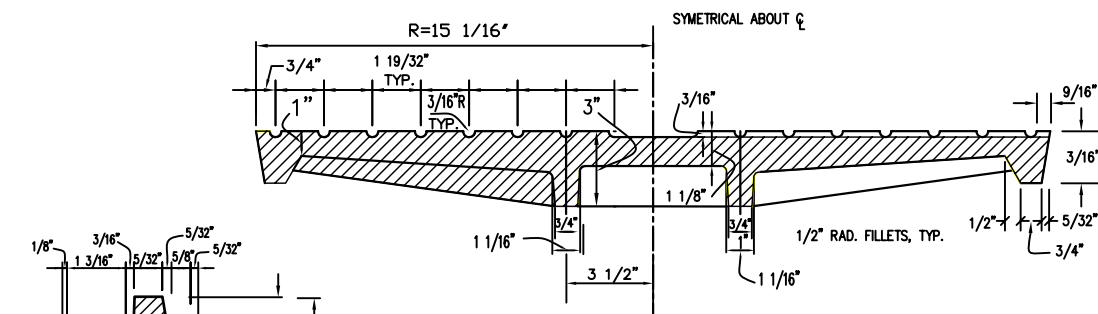


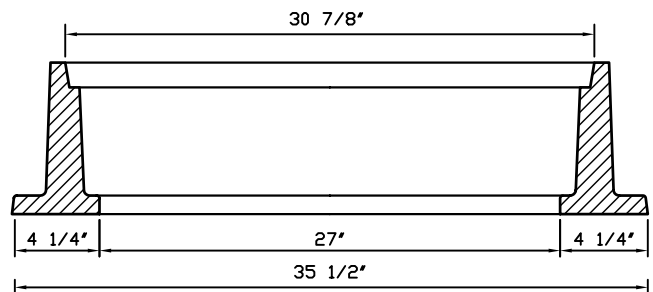
BOTTOM PLAN OF COVER

COVER FOR 27" CLEAR OPENING FRAME  
(STORM DRAIN COVER ILLUSTRATED)



SECTION A-A

DETAIL OF FRAME



SECTION THRU. FRAME

**NOTES:**

1. MANHOLE FRAMES AND COVER SHALL BE MADE OF GRAY CAST IRON CONFORMING TO ASTM A-48, CLASS 35, AND PAINTED WITH ASPHALTUM PAINT EXCEPT FOR MACHINED SURFACES. (ALHAMBRA FOUNDRY A-1496)
2. STORM DRAIN (SANITARY SEWER) COVERS SHALL BE CAST WITH THE LETTER "D" ("S") IN THE CENTER OF THE COVER.
3. UNLESS OTHERWISE SPECIFIED, FRAMES SHALL BE 6 INCHES HIGH.

**CITY OF NEWPORT BEACH**  
PUBLIC WORKS DEPARTMENT

APPROVED:

RCE NO. 36106

PUBLIC WORKS DIRECTOR

Date: January 2003

Scale: N.T.S.

Drawn by: M. WAGNER

F:\USERS\PBW\Shared\CAD\_STD\STD\_Details\2003\_Std

DRAWING NO.

**STD-113-L**

**STANDARD 27-INCH MANHOLE  
FRAME AND COVER**