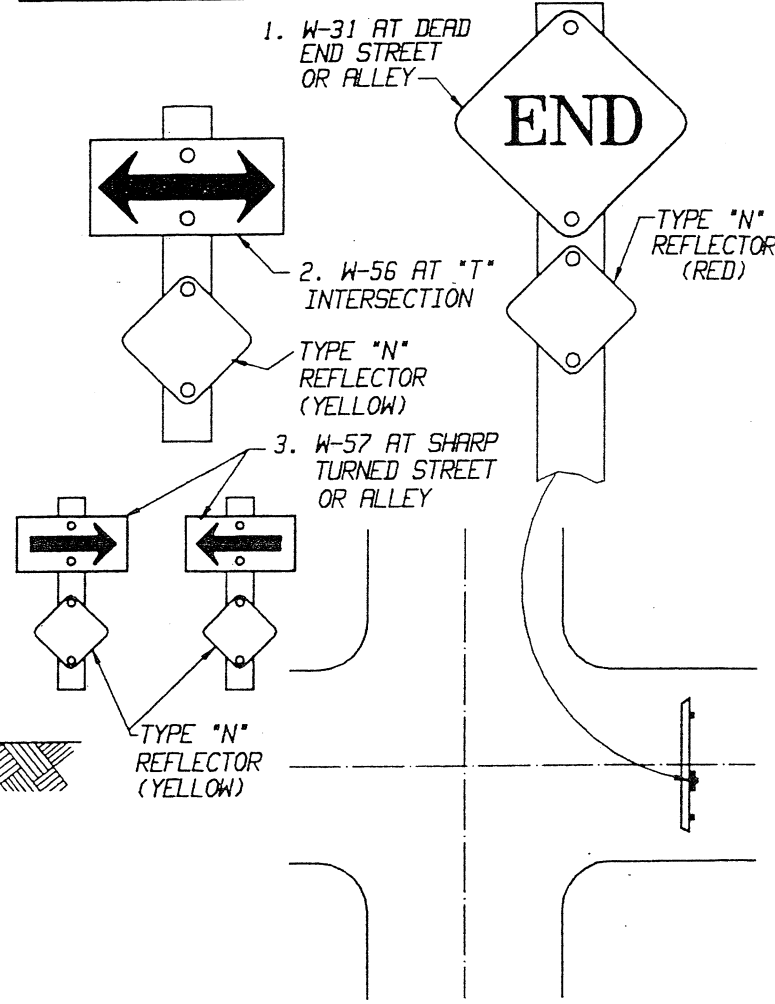
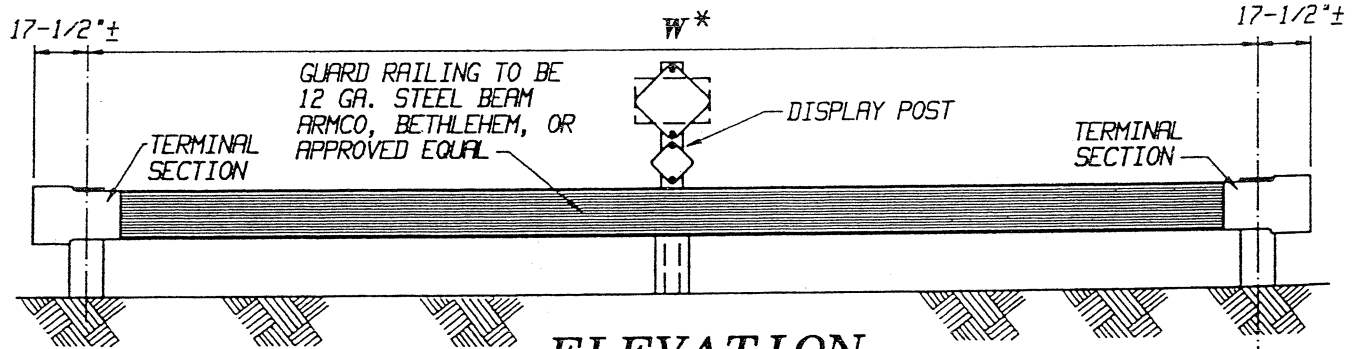


POST DETAIL

USE ONE OF THE FOLLOWING:



P L A N



ELEVATION

ROAD WIDTH	W*
28' AND 32'	2 @ 12'-6" = 25'
36' AND 40'	3 @ 10'-0" = 30'
64'	4 @ 12'-6" = 50'

NOTE:

ALL METAL PARTS INCLUDING RAILING TO BE HOT DIP GALVANIZED IN ACCORDANCE WITH CITY STANDARD SPECIFICATIONS

* UNLESS OTHERWISE SHOWN ON THE PLANS

**CITY OF NEWPORT BEACH
PUBLIC WORKS DEPARTMENT**

**STANDARD STREET
BARRICADE**

APPROVED: _____
 DIRECTOR OF PUBLIC WORKS
 R.C.E. NO. 36/06

DATE	7 Sep 1994	SCALE	N.T.S.
DRAWN	M. GRACIA	STD-900-L	