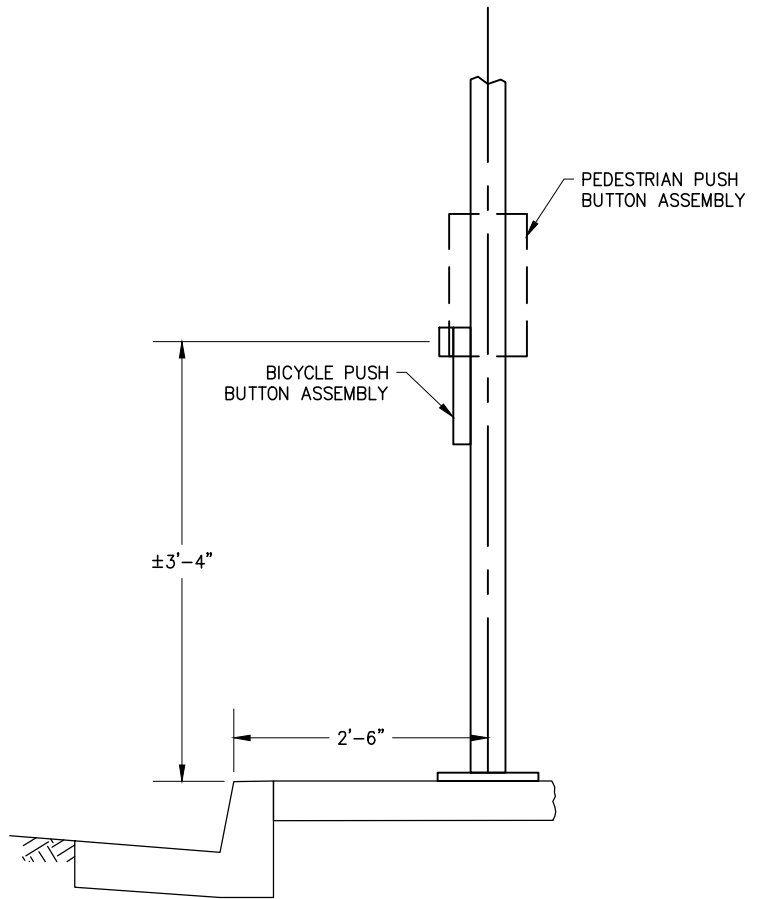


**NOTES:**

1. BICYCLE PUSH BUTTON (BPB) SIGN SHALL BE 5"X7-1/2" PER CALTRANS STANDARD PLAN ES-5C.
2. BPB HOUSING SHALL BE TYPE B.
3. BPB ASSEMBLY SHALL BE MOUNTED SO THAT BUTTON IS ABOVE SIGN.

**PEDESTRIAN AND BICYCLE PUSH BUTTON MOUNTING CONFIGURATION**



FORMER CITY STANDARD PLAN NUMBER (2004 EDITION): STD 913-L

APP. *James M. Hinkle* 51568 11/24/2020  
 CITY ENGINEER RCE DATE

NO.	DATE	DESCRIPTION OF REVISIONS

**CITY OF NEWPORT BEACH DEPARTMENT OF PUBLIC WORKS**

DRAWN: P. KHARAZMI  
 DATE: 11/3/2020

**BICYCLE PUSH BUTTON INSTALLATION DETAILS**

STANDARD DRAWING NO.

**913**

SHEET 1 OF 1