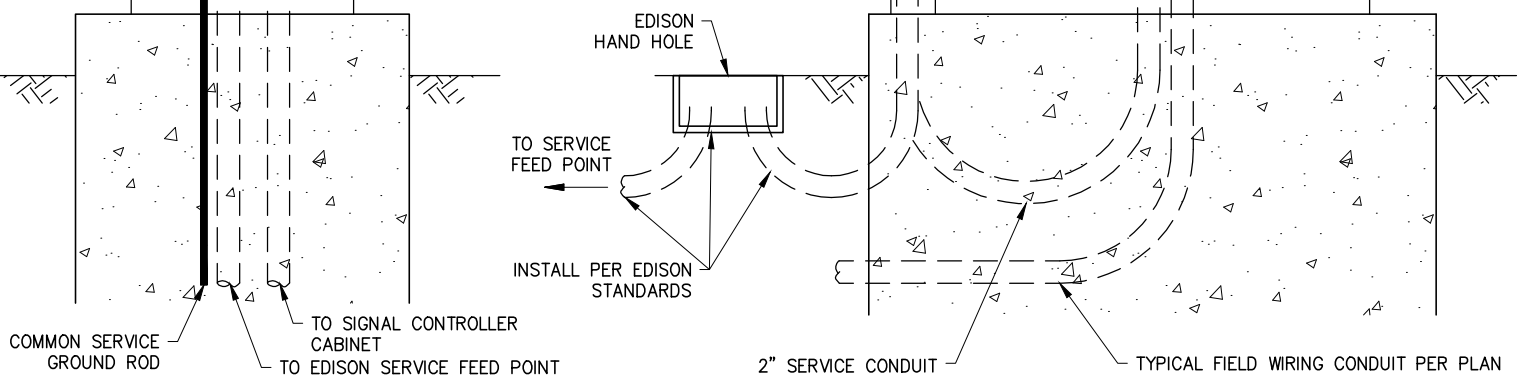
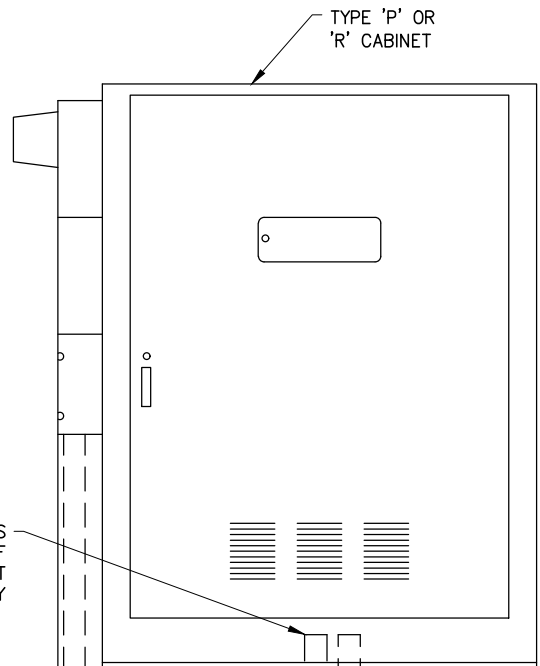
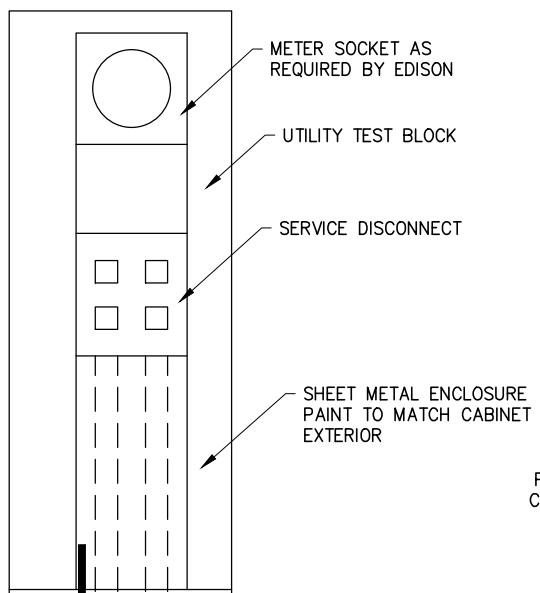
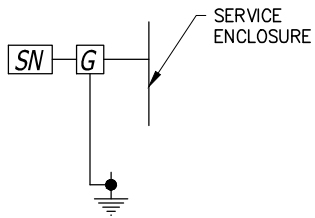
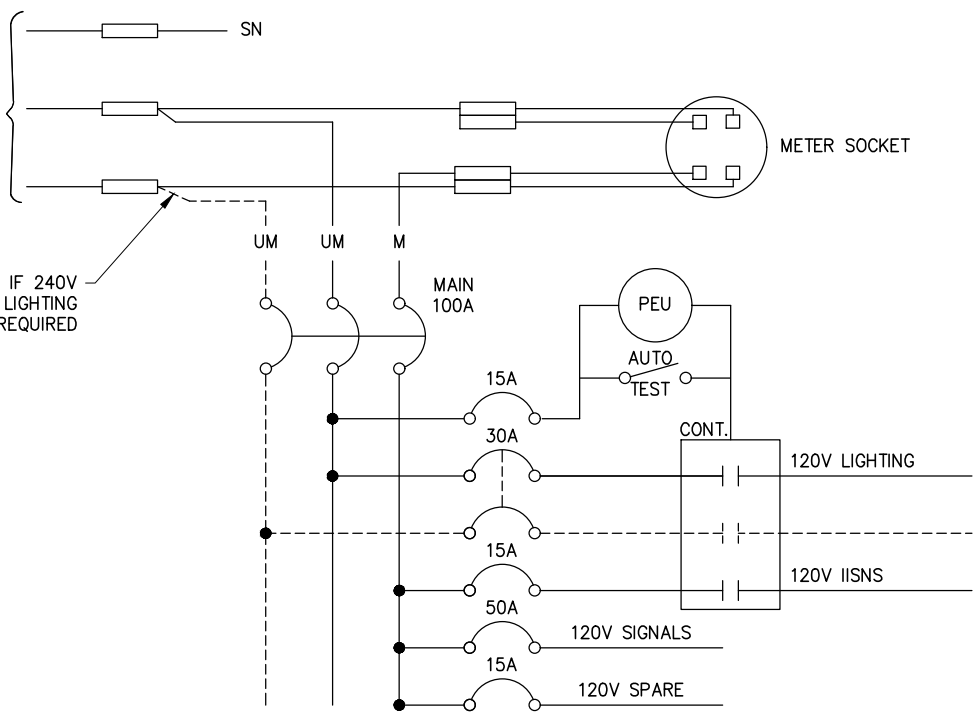


SINGLE PHASE, SECONDARY,
120V/240V, 3 WIRE SERVICE



APP. <i>James M. Hinkle</i>	51568	11/24/2020			
CITY ENGINEER	RCE	DATE	NO.	DATE	DESCRIPTION OF REVISIONS

CITY OF NEWPORT BEACH DEPARTMENT OF PUBLIC WORKS

DRAWN: P. KHARAZMI
DATE: 11/3/2020

TRAFFIC SIGNAL SERVICE (TYPE II)

STANDARD DRAWING NO.
909
SHEET 1 OF 1