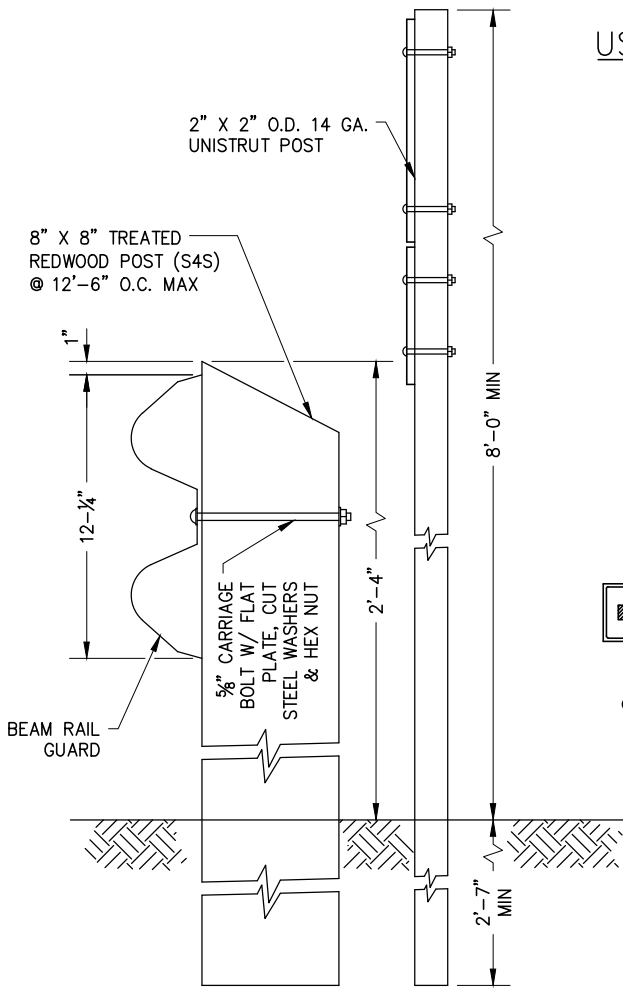
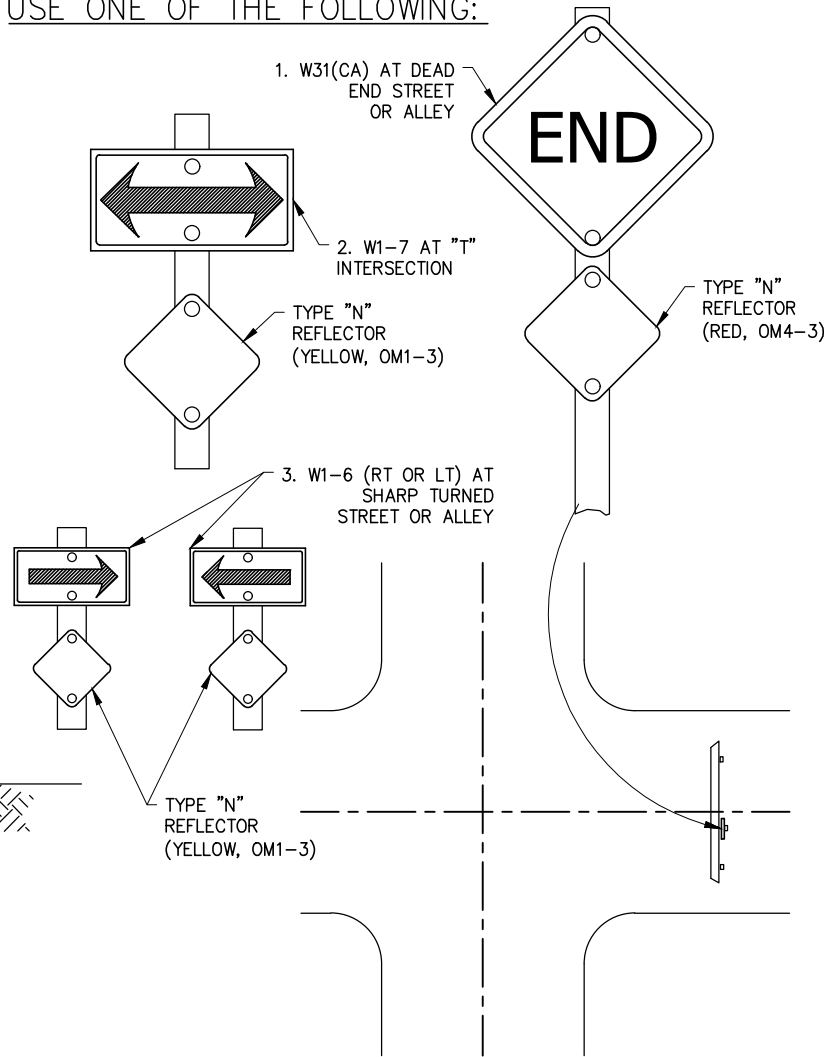


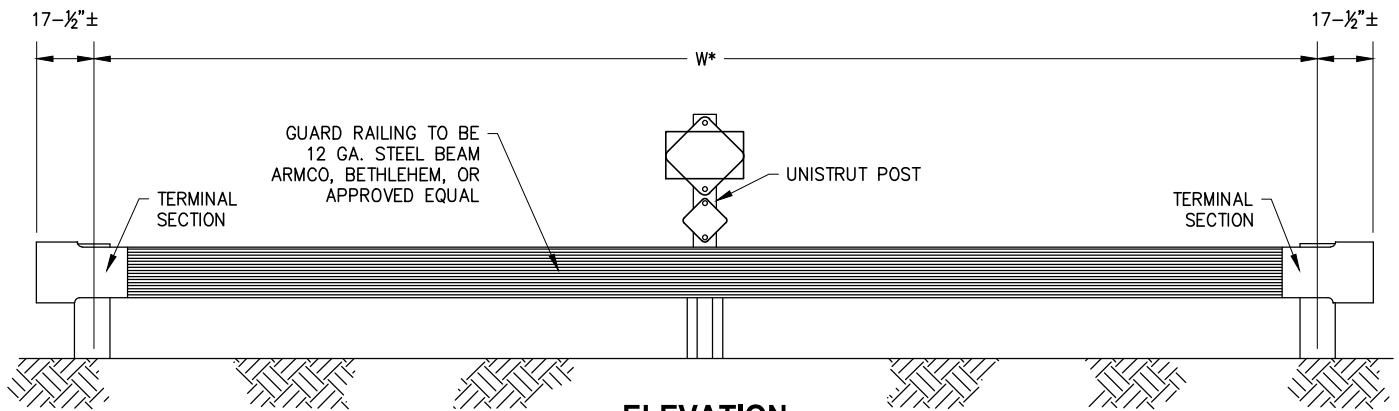
USE ONE OF THE FOLLOWING:



**POST DETAIL**



**PLAN**



**ELEVATION**

ROAD WIDTH	W*
28' AND 32'	2 @ 12'-6" = 25'
36' AND 40'	3 @ 10'-0" = 30'
64'	4 @ 12'-6" = 50'

\* UNLESS OTHERWISE SHOWN ON THE PLANS

**NOTES:**

- ALL METAL PARTS INCLUDING RAILING TO BE HOT DIP GALVANIZED.
- SIGNS SHALL BE INSTALLED PER CITY STD 924.

FORMER CITY STANDARD PLAN NUMBER (2004 EDITION): STD 900-L

APP. <i>James M. Hinkle</i>	51568	11/24/2020		
CITY ENGINEER	RCE	DATE	NO.	DATE
			DESCRIPTION OF REVISIONS	

**CITY OF NEWPORT BEACH DEPARTMENT OF PUBLIC WORKS**

DRAWN: P. KHARAZMI	<h1>STANDARD STREET BARRICADE</h1>	STANDARD DRAWING NO.
DATE: 11/3/2020		<h1>900</h1>
		SHEET 1 OF 1