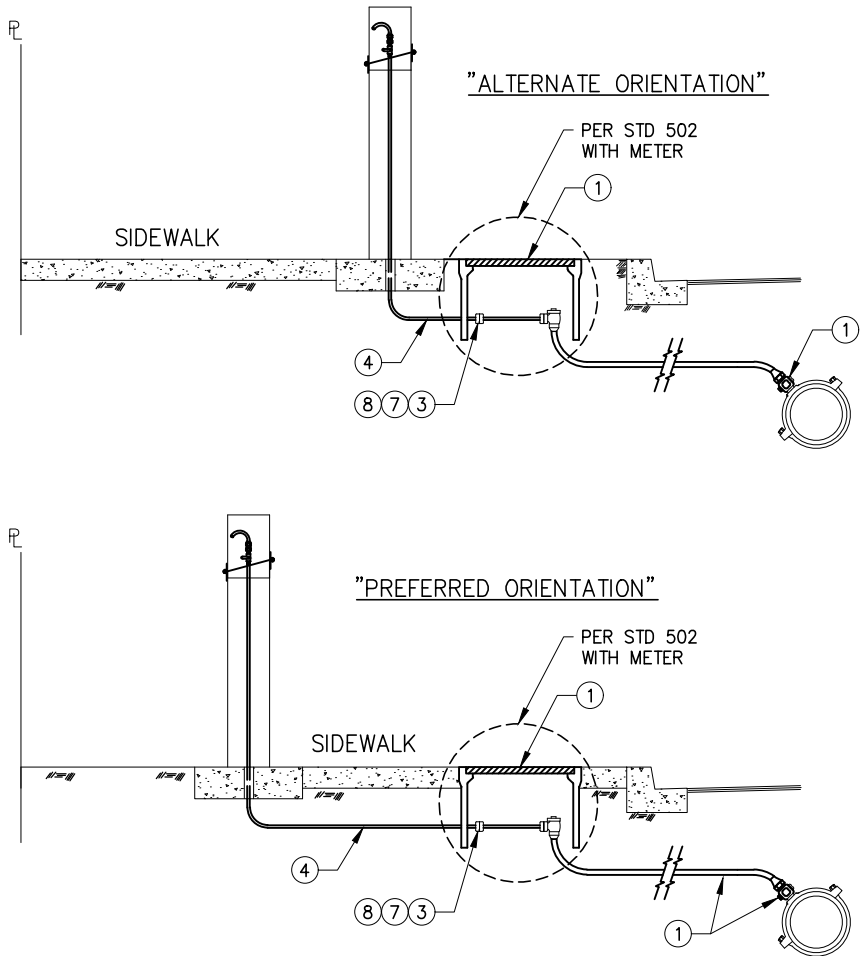
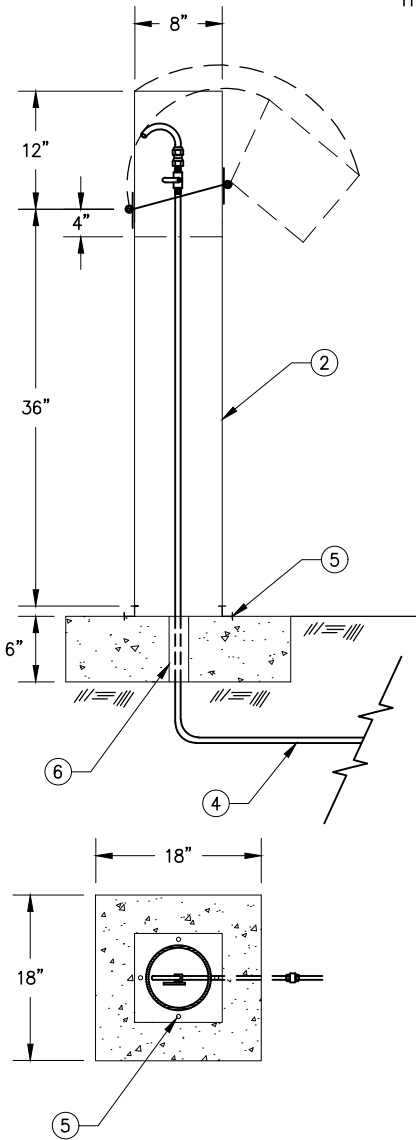


\* FOR AN ALTERNATIVE SAMPLING STATION CONTACT THE C.N.B. UTILITIES DEPT. REPRESENTATIVE.



SECTION VIEW: NOT TO SCALE

**CONSTRUCTION NOTES**

- ① INSTALL 1" STANDARD SERVICE PER APPLICABLE PORTIONS OF STD 502.
- ② AMERICAN MACHINE & CONVEYOR CORP MODEL EZ-01 WATER SAMPLING STATION 44" HIGH POWDER COAT FINISH GREEN #RAL600.
- ③ 1/2" x 3/4" BRASS BELL REDUCER, USA.
- ④ 1/2" SOFT COPPER.
- ⑤ 1/2" DIAMETER STAINLESS STEEL ANCHOR BOLTS SET IN CONCRETE SLAB.
- ⑥ 1 1/2" SCH. 80 PVC SLEEVE.
- ⑦ J-130, 3/4" TAILPIECE.
- ⑧ J-1535 3/4" FLARE x FIP ADAPTER.

FORMER CITY STANDARD PLAN NUMBER (2004 EDITION): STD 523-L

*James M. Hinkle*  
CITY ENGINEER

51568  
RCE

11/24/2020  
DATE

NO.	DATE	DESCRIPTION OF REVISIONS

CITY OF NEWPORT BEACH DEPARTMENT OF PUBLIC WORKS

DRAWN: M. ELIAS

DATE: 11/3/2020

**WATER SAMPLING STATION**

STANDARD DRAWING NO.

**522**

SHEET 1 OF 1