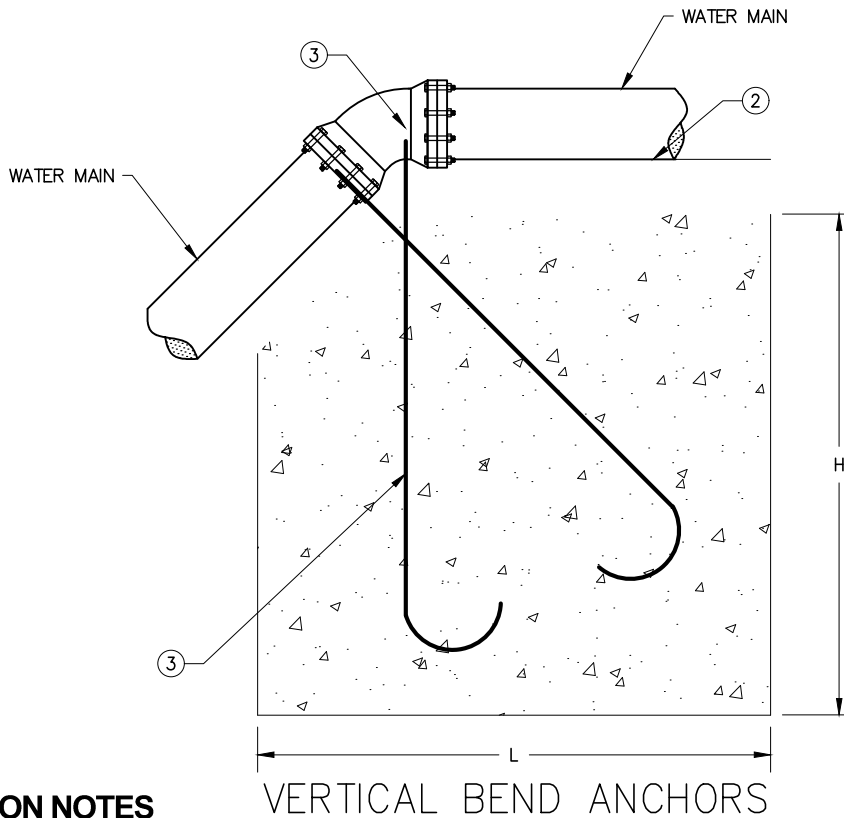


ANCHOR BLOCK DIMENSIONS L=H=W IN FT.

FITTING & SIZE	22½° BEND	45° BEND
4"	1.9	2.4
6"	2.5	3.1
8"	3.1	3.8
10"	3.5	4.4
12"	4.0	5.0
14"	4.4	5.5
16"	5.0	6.0
18"	5.3	6.5



CONSTRUCTION NOTES

- ① ½" DIAMETER REINFORCING STEEL WITH 4" MINIMUM CONCRETE COVER AT HOOKS.
- ② ⅜" THICK FELT PAPER SEPARATOR BARRIER.
- ③ ALL REBAR EXPOSED TO THE SOIL SHALL BE EPOXY COATED.

GENERAL NOTES

1. WATER MAIN PRESSURE TESTS SHALL BE PERFORMED SUBSEQUENT TO ADEQUATE CONCRETE CURING.
 2. ANCHOR BLOCKS, WHERE REQUIRED, SHALL BE POURED AGAINST UNDISTURBED SOIL, BACKFILL COMPACTED TO 100% RELATIVE COMPACTION OR CLASS 100-E-100 SLURRY.
 3. DIMENSIONS L, H, AND W ARE COMPUTED FOR TEST PRESSURES OF 225 PSI IN FORCE MAINS LAID IN SANDY SILT WITH AT LEAST 3 FEET OF COVER.
 4. DIMENSIONS L, H, AND W SHALL BE APPROVED BY THE ENGINEER FOR THOSE WATER MAINS WHICH (A) ARE NOT POURED AGAINST UNDISTURBED SOIL, COMPACTED BACKFILL, OR SLURRY; (B) WILL BE TESTED TO MORE THAN 225 PSI; OR (C) ARE NOT REPRESENTED BY A FITTING SIZE SHOWN HEREON.
 5. JOINT FASTENERS SHALL NOT BE EMBEDDED IN CONCRETE.
 6. REINFORCING STEEL SHALL BE GRADE 60 #4 CONFORMING TO ASTM 615, UNLESS OTHERWISE DESIGNED BY A CALIFORNIA REGISTERED PROFESSIONAL ENGINEER. ALL REBARS EXPOSED TO SOIL SHALL BE EPOXY COATED.
 7. ALL DUCTILE IRON FITTINGS SHALL BE ENCASED IN POLYETHYLENE WRAP PER AWWA STANDARD C105.
- FORMER CITY STANDARD PLAN NUMBER (2004 EDITION): STD 510-L-E

APP.	51568 RCE	11/24/2020 DATE	
CITY ENGINEER	RCE	DATE	
			NO. DATE DESCRIPTION OF REVISIONS

CITY OF NEWPORT BEACH DEPARTMENT OF PUBLIC WORKS

DRAWN: M. ELIAS	<h1 style="margin: 0;">ANCHOR BLOCK DETAIL II</h1>	STANDARD DRAWING NO. <h1 style="margin: 0;">516-E</h1>
DATE: 11/3/2020		SHEET 1 OF 1