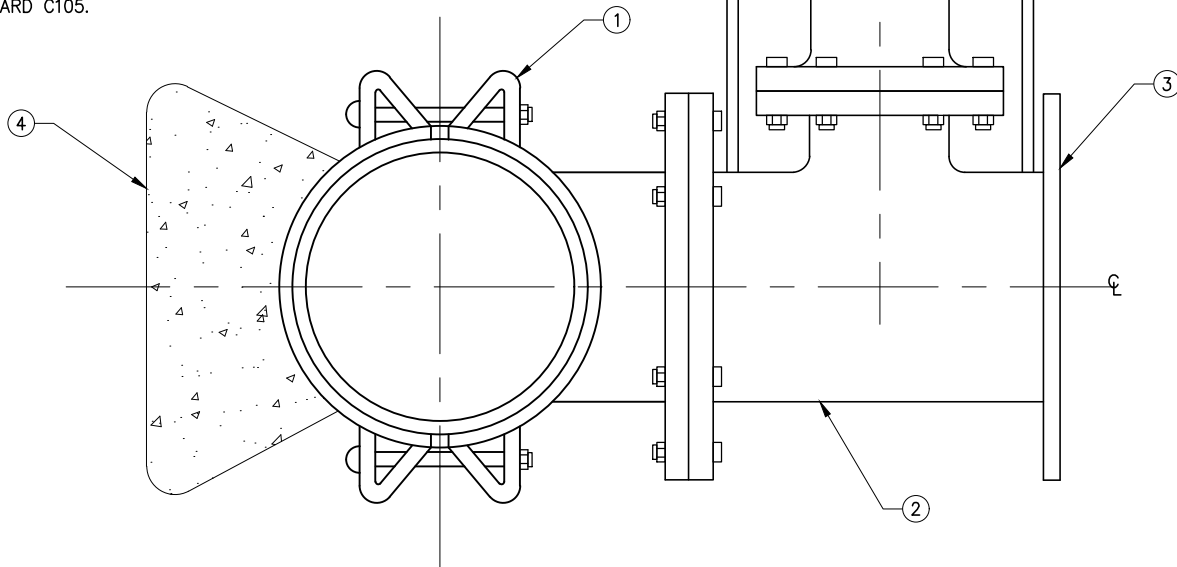


CONSTRUCTION NOTES

- ① INSTALL TAPPING SLEEVE (SEE GENERAL NOTES FOR TAPPING SLEEVE SPECIFICATIONS).
- ② INSTALL RESILIENT WEDGE TAPPING VALVE. REFER TO CITY OF NEWPORT BEACH DESIGN CRITERIA FOR VALVE REQUIREMENTS.
- ③ INSTALL MECHANICAL JOINT OR FLANGED. REFER TO PROJECT PLANS.
- ④ INSTALL THRUST BLOCK PER STD 516-A.
- ⑤ INSTALL VALVE BOX COVER PER STD 513.
- ⑥ 8" DIAMETER SDR-35 PIPE.

GENERAL NOTES

- 1. ALL TAPPING SLEEVES MUST BE A MINIMUM OF 24" FROM NEAREST JOINT OR SERVICE.
- 2. TAPPING SLEEVE SHALL NOT BE APPLIED TO STEEL AND CAST IRON PIPES.
- 3. ALL TAPPING SLEEVES SHALL BE FULL CIRCLE TYPE.
- 4. ALL SLEEVES SHALL BE STAINLESS STEEL (FLANGE INCLUDED).
- 5. FOR ALL STANDARD TAPS, USE HYDROMETRIC JCM 432 ALL TYPE 316 STAINLESS STEEL.
- 6. ALL DUCTILE IRON FITTINGS SHALL BE ENCASED IN POLYETHYLENE WRAP PER AWWA STANDARD C105.



FORMER CITY STANDARD PLAN NUMBER (2004 EDITION): STD 507-L

APP. *James M. Hinkle* 51568 11/24/2020
 CITY ENGINEER RCE DATE

NO.	DATE	DESCRIPTION OF REVISIONS

CITY OF NEWPORT BEACH DEPARTMENT OF PUBLIC WORKS

DRAWN: M. ELIAS
 DATE: 11/3/2020

WATER MAIN TAP

STANDARD DRAWING NO.
511
 SHEET 1 OF 1