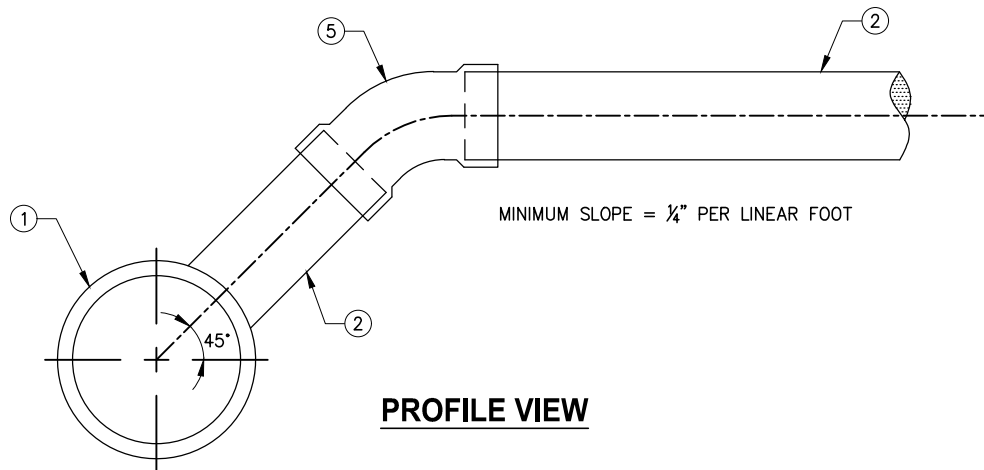


**VCP & PVC SEWER LATERAL CONNECTION TYPE "A"**



**PROFILE VIEW**

**NOTE:**

IF EXISTING PIPE IS VCP, USE VCP, AND IF LATERAL IS 6", CLEAN OUT SHALL BE 6", ETC.

**GENERAL NOTES:**

1. ALL RESIDENTIAL SEWER LATERALS SHALL BE AT LEAST 4" DIAMETER AND SHALL MATCH LATERAL CONNECTION SIZE.
2. ALL COMMERCIAL SEWER LATERALS SHALL BE A MINIMUM OF 6" DIAMETER. LARGER COMMERCIAL LATERALS REQUIRE SPECIAL DESIGN.
3. PIPE AND FITTINGS SHALL BE EITHER VCP OR SDR-35 PVC. VCP IS PREFERRED. ABS PIPE IS STRICTLY PROHIBITED.
4. PIPE AND FITTINGS SHALL NOT BE GLUE-JOINT TYPE FITTINGS.
5. GLUE-JOINTS ARE PROHIBITED.
6. VCP SHALL BE HIGH STRENGTH.

**CONSTRUCTION NOTES:**

- ① 8"x4" (OR 8"x6") VCP (OR SDR-35 PVC) WYE BRANCH FITTING.
- ② 4" (OR 6") DIAMETER SEWER LATERAL PIPE PER STD 406.
- ③ 8" DIAMETER, BANDED, RUBBER MECHANICAL COUPLING. BANDS SHALL BE STAINLESS STEEL. MISSION CLAY ADJUSTABLE REPAIR COUPLINGS (TYPE 2) FOR ALL WYE CUT-INS. IF SDR-35 PVC, USE AMAZON SHEAR RING RUBBER COUPLING.
- ④ EXISTING 8" VCP (OR SDR-35 PVC) SEWER MAIN.
- ⑤ 4" (OR 6") 45° ELL. ROTATE FITTING TO PROVIDE PROPER VERTICAL AND HORIZONTAL ALIGNMENT.

FORMER CITY STANDARD PLAN NUMBER (2004 EDITION): STD 405-L

APP. *James M. Hinkle* 51568 11/24/2020  
 CITY ENGINEER RCE DATE

NO.	DATE	DESCRIPTION OF REVISIONS

**CITY OF NEWPORT BEACH DEPARTMENT OF PUBLIC WORKS**

DRAWN: P. KHARAZMI  
 DATE: 11/3/2020

**SEWER LATERAL CONNECTION TYPE "A"**

STANDARD DRAWING NO.

**407**

SHEET 1 OF 1