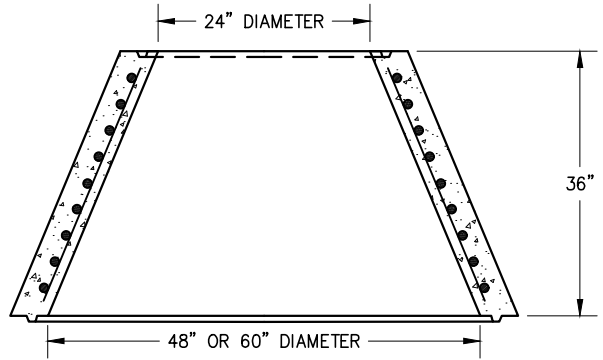
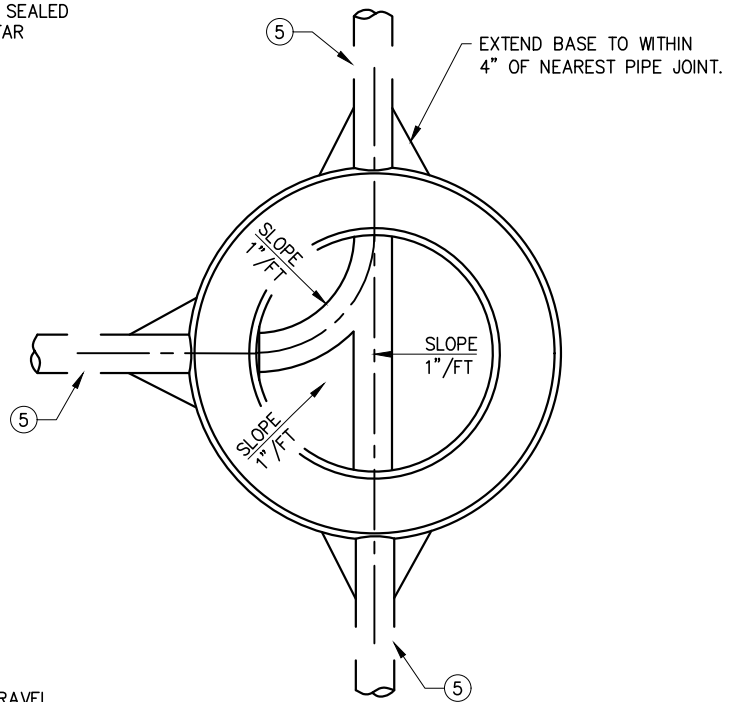


TYPICAL SECTION



48" X 24" & 60" X 24" CONCENTRIC CONE



PLAN OF BASE

CONSTRUCTION NOTES:

- ① INSTALL MANHOLE FRAME & COVER PER STD 318.
- ② CONSTRUCT CONCRETE COLLAR 12" X 6".
- ③ INSTALL 3" GRADE RING WHERE REQUIRED.
- ④ INSTALL 6" GRADE RING.
- ⑤ 6" RUBBER COUPLINGS OUTSIDE MANHOLE BASE.

GENERAL NOTES:

- 1. FOR DROP MANHOLE SEE DRAWING STD 403.
- 2. THE DIFFERENCE IN ELEVATION AT EACH END OF THE INVERT OF THE MANHOLE CHANNEL SHALL BE 0.20 FEET. SHELF SLOPE SHOWN IS MINIMUM.
- 3. FOR NEW MANHOLE INSTALLATIONS, LAY NEW SEWER PIPE THROUGH MANHOLE AND CUT OUT PIPE FOR CHANNEL AFTER BASE IS POURED.
- 4. ALL CONNECTIONS TO EXISTING MANHOLES SHALL BE CORE DRILLED AND WATER TIGHT WHEN COMPLETED. APPROVED METHOD FOR PIPE TO MANHOLE CONNECTIONS: USE COUPLINGS WITH ELASTOMERIC GASKET SEALS. CEMENT-GROUT INTO MANHOLE WALLS. INSERT PIPE THROUGH COUPLING.
- 5. 60" MANHOLE FOR DEPTH OF 15' OR GREATER. (REQUIRES LARGER RINGS & 30" MANHOLE COVER).

FORMER CITY STANDARD PLAN NUMBER (2004 EDITION): STD 401-L

APP. <i>James M. Hinkle</i>	51568	11/24/2020		
CITY ENGINEER	RCE	DATE	NO.	DATE
			DESCRIPTION OF REVISIONS	

CITY OF NEWPORT BEACH DEPARTMENT OF PUBLIC WORKS

DRAWN: P. KHARAZMI	<h1>STANDARD MANHOLE</h1>	STANDARD DRAWING NO.
DATE: 11/3/2020		<h2>400</h2>
		SHEET 1 OF 1