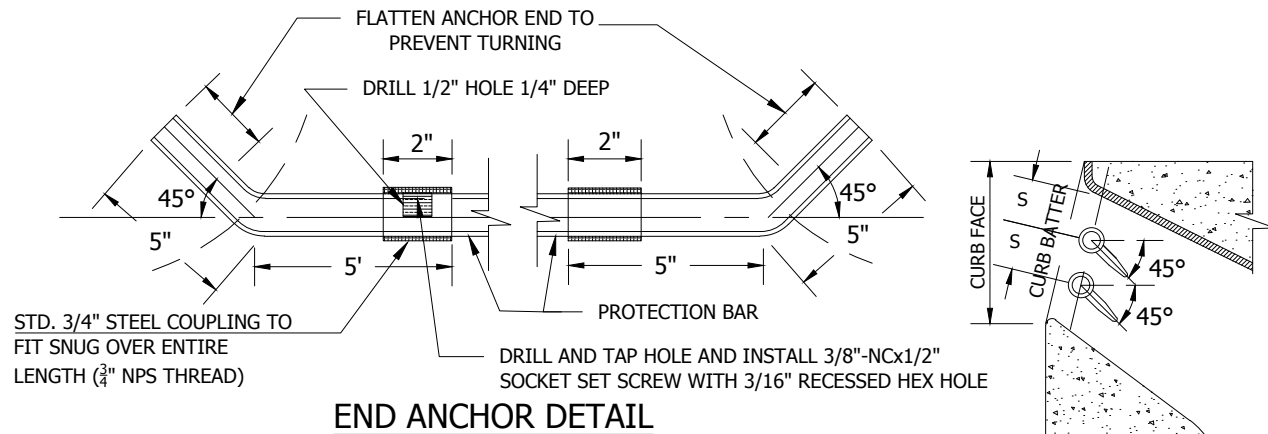
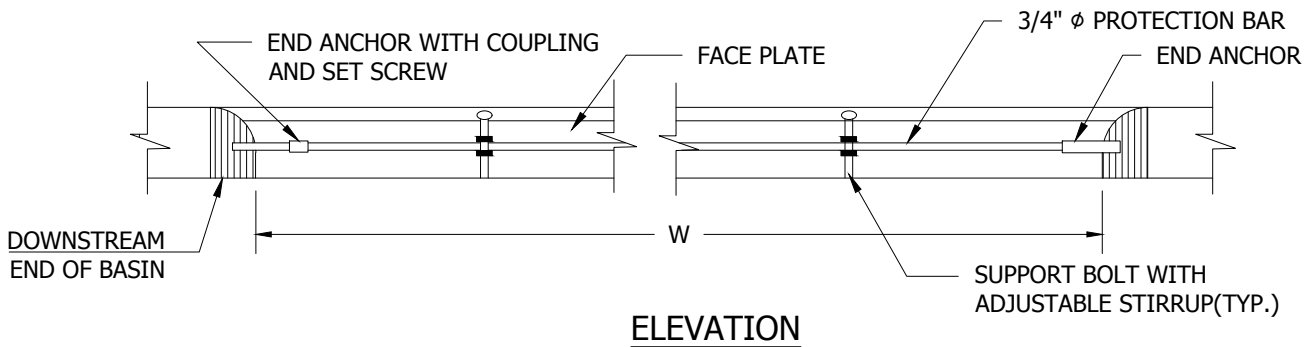
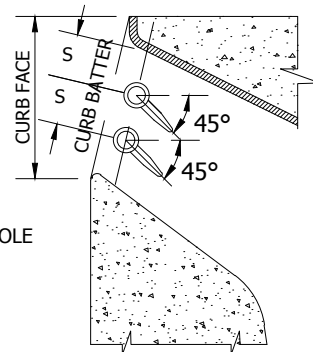


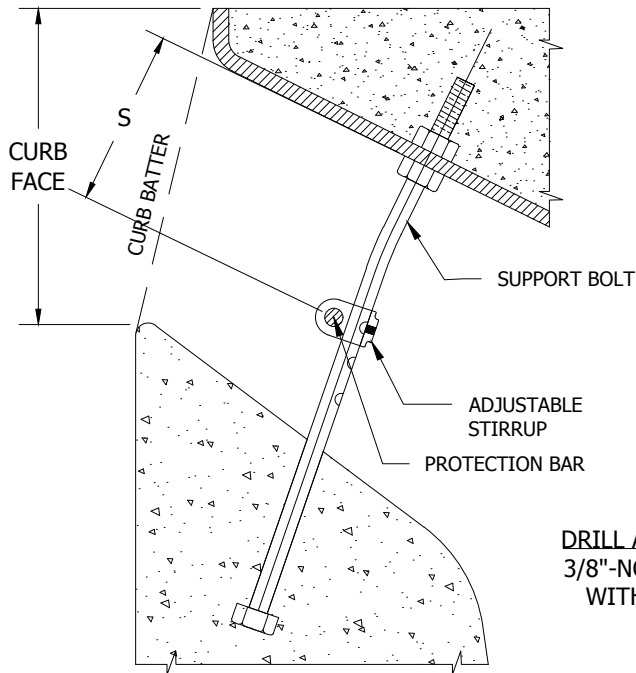
**PROTECTION BAR AND SUPPORT BOLT(S) WITH  
ADJUSTABLE STIRRUP(S) - (TYPE A)**



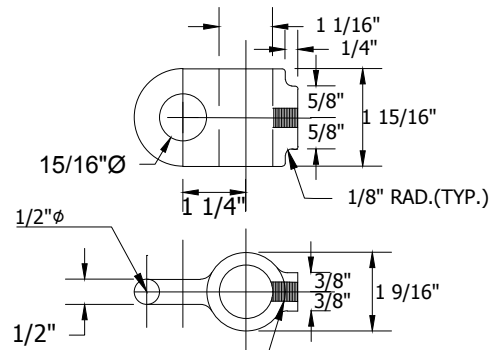
**END ANCHOR DETAIL**



**DOUBLE PROTECTION BAR DETAIL**



**PROTECTION BAR & STIRRUP LOCATION**



**DRILL AND TAP HOLE AND INSTALL  
3/8"-NC x 1/2" SOCKET SET SCREW  
WITH 3/16" RECESSED HEX HOLE**

**STIRRUP DETAIL**

ADOPTED FROM APWA STANDARD PLAN 310-2

FORMER CITY STANDARD PLAN NUMBER (2004 EDITION): STD 316-L-D

APP. *James M. Hinkle* 51568 11/24/2020  
CITY ENGINEER RCE DATE

NO.	DATE	DESCRIPTION OF REVISIONS

**CITY OF NEWPORT BEACH DEPARTMENT OF PUBLIC WORKS**

DRAWN: M. ELIAS  
DATE: 11/3/2020

**CATCH BASIN PROTECTION BAR  
WITH ADJUSTABLE STIRRUP(S)**

STANDARD DRAWING NO.

**305-D**

SHEET 1 OF 1