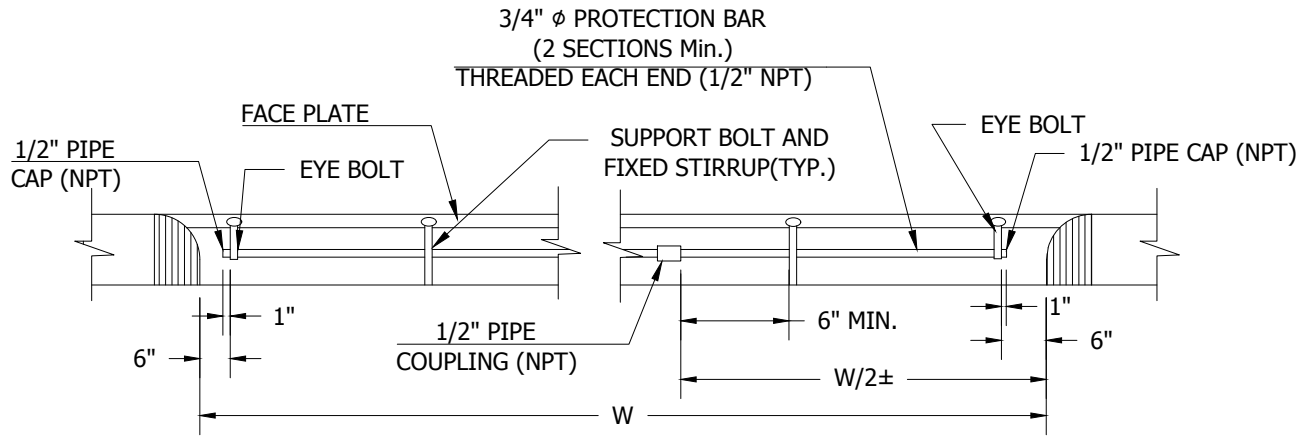
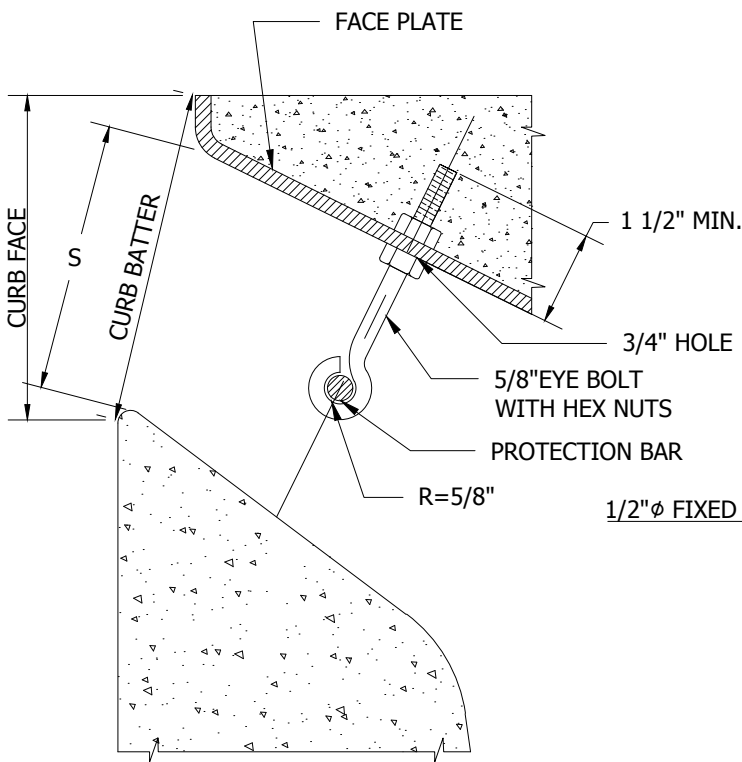


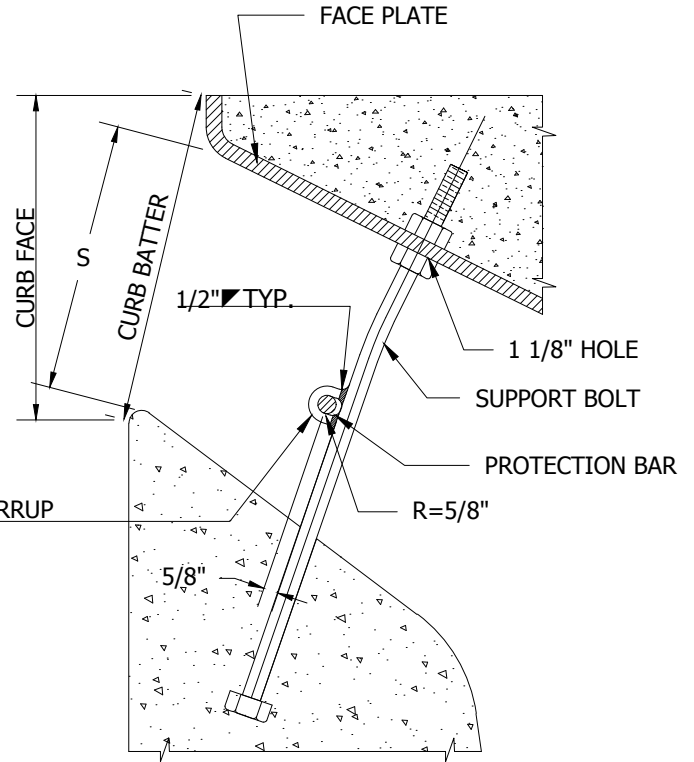
PROTECTION BAR AND SUPPORT BOLT(S) WITH FIXED STIRRUP(S) - (TYPE B)



ELEVATION



EYE BOLT DETAIL



STIRRUP DETAIL

ADOPTED FROM APWA STANDARD PLAN 310-2

FORMER CITY STANDARD PLAN NUMBER (2004 EDITION): STD 316-L-E

APP. *James M. Hinkle* 51568 11/24/2020
CITY ENGINEER RCE DATE

NO.	DATE	DESCRIPTION OF REVISIONS

CITY OF NEWPORT BEACH DEPARTMENT OF PUBLIC WORKS

CATCH BASIN PROTECTION BAR WITH FIXED STIRRUP(S)

DRAWN: M. ELIAS

DATE: 11/3/2020

STANDARD DRAWING NO.

305-E

SHEET 1 OF 1