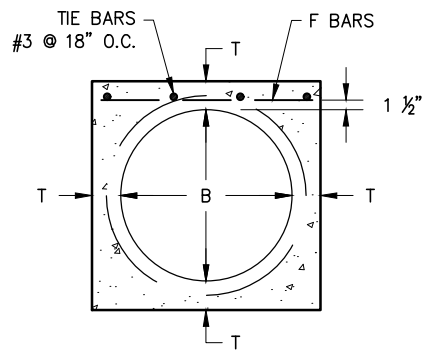
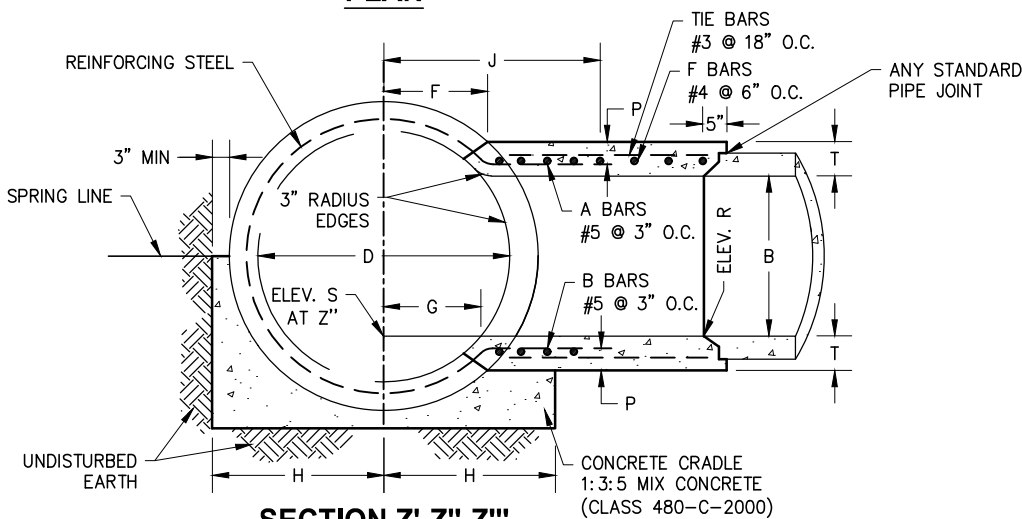


PLAN



SECTION M-M



SECTION Z'-Z''-Z'''

PROJECTED ON Y-Z'''

TABLE OF VALUES FOR T

B	T
12"	4"
15"	4 1/4"
18"	4 1/2"
21"	5"
24"	5 1/4"
27"	5 1/2"
30"	6"
33"	6 1/4"
36"	6 1/2"
39"	7"

MINIMUM DEPTH OF TOP AND BOTTOM SLABS SHALL BE $\frac{D}{2} + 2"$

NOTES:

- VALUES FOR A, B, C, D, E, F, G, L, ELEVATION R, AND ELEVATION S ARE SHOWN ON PLAN.
- "H" PIPE SHALL BE CRADLED IN 1:3:5 CONCRETE MIX EXTENDING LONGITUDINALLY 12" BEYOND THE LIMITS OF L. $H = \frac{1}{2}$ " OUTSIDE DIAMETER OF PIPE + 3" AS A MINIMUM.
- "J" - A AND B BARS SHALL BE CARRIED TO A POINT NOT LESS THAN J DISTANCE FROM CENTERLINE = $7\frac{1}{2} + 6"$
- "L" RECTANGULAR OPENING IN MAIN LINE PIPE SHALL BE CUT WITHIN THESE LIMITS NORMAL TO PIPE SURFACE WITHOUT DAMAGING STEEL. THERE SHALL BE AT LEAST 12" CLEARANCE FROM EDGE OF OPENING TO PIPE JOINT. NO MORE THAN ONE OPENING SHALL BE MADE IN ONE SECTION OF PIPE.
- "P" TRANSVERSE REINFORCEMENT IN PIPE SHALL BE CUT IN CENTER OF OPENING AND BENT TO UNIFORM DISTANCE FROM TOP AND BOTTOM OF JUNCTION STRUCTURE.
- REINFORCING STEEL SHALL BE 1 1/2" CLEAR FROM FACE OF CONCRETE UNLESS OTHERWISE SHOWN.
- FLOOR OF STRUCTURE SHALL BE STEEL-TROWELED TO SPRING LINE.
- ELEVATION "S" APPLIES AT CENTER OF MAIN LINE ON PROLONGATION OF INVERT OF SPUR.
- CRADLE MAY BE OMITTED OPPOSITE LATERAL INLET WHEN CONSTRUCTED IN CONNECTION WITH EXISTING PIPE STORM DRAIN.
- JUNCTION STRUCTURE NO. 2 TO BE USED WHEN O.D. OF "B" IS GREATER THAN 1/2 THE I.D. OF "D" OR "B" IS GREATER THAN 24" AND LESS THAN 3/4 D OR 39". FORMER CITY STANDARD PLAN NUMBER (2004 EDITION): STD 311-L

APP. *James M. Hinkle* 51568 11/24/2020
 CITY ENGINEER RCE DATE

NO.	DATE	DESCRIPTION OF REVISIONS

CITY OF NEWPORT BEACH DEPARTMENT OF PUBLIC WORKS

DRAWN: M. ELIAS
 DATE: 11/3/2020

JUNCTION STRUCTURE No. 4

STANDARD DRAWING NO.

314

SHEET 1 OF 1