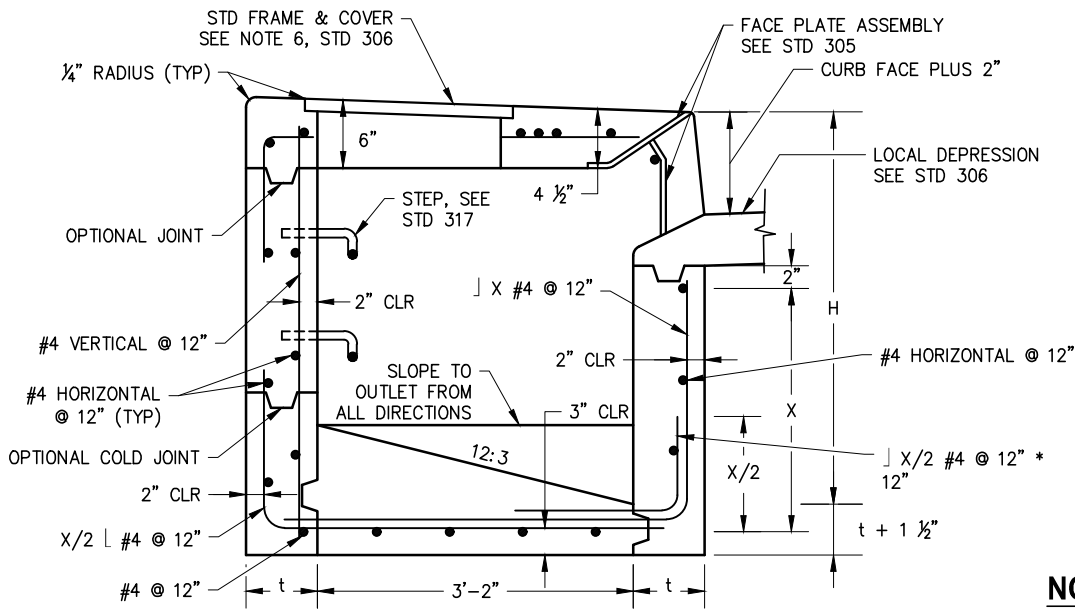


**HALF PLAN  
SYMMETRICAL ABOUT A-A**

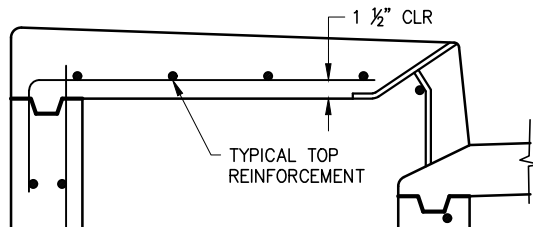
H	L	t
8' OR LESS	3'6" TO 21'-0"	8"
8'-1" TO 12'	3'-6" TO 21'-0"	10"
8' OR LESS	21'-1" OR GREATER	10"



**SECTION A-A**

**NOTES:**

1. FOR GENERAL NOTES AND LOCAL DEPRESSION SEE STD 306.
  2. FOR "H" GREATER THAN 8' AND "L" GREATER THAN 21'-1", SPECIAL DESIGN REQUIRED.
  3. \*DELETE WHEN "H" IS LESS THAN 8'.
  4. ALL REBAR SHALL BE EPOXY-COATED.
- REFERENCE STDS 305, 306 AND 317.



FORMER CITY STANDARD PLAN NUMBER (2004 EDITION): STD 305-L

APP. *James M. Hinkle* 51568 11/24/2020  
CITY ENGINEER RCE DATE

NO.	DATE	DESCRIPTION OF REVISIONS

**CITY OF NEWPORT BEACH DEPARTMENT OF PUBLIC WORKS**

DRAWN: M. ELIAS  
DATE: 11/3/2020

**CURB INLET TYPE OL-A**

STANDARD DRAWING NO.  
**300**  
SHEET 1 OF 1