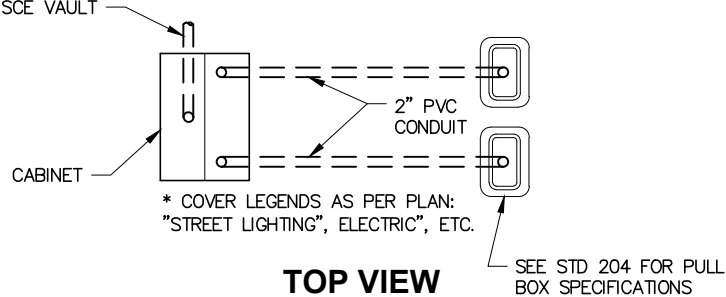


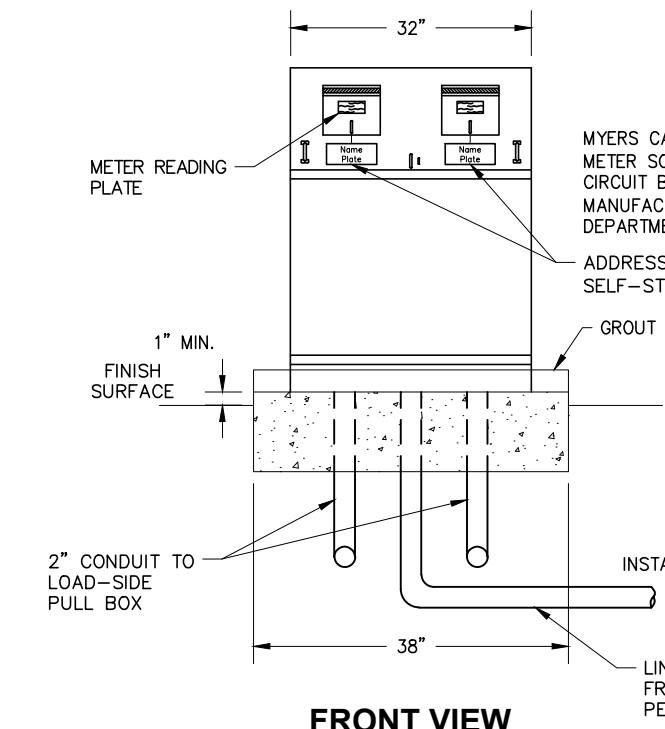
GENERAL NOTES

1. ALL ANCHORING HARDWARE, MOUNTS, NUTS, BOLTS AND BASE SHALL BE STAINLESS STEEL.
2. PROVIDE 3 FT. CLEARANCE AROUND CABINET ON ALL SIDES, UNLESS OTHERWISE NOTED.
3. METER SHALL FACE STREET.
4. BREAKER CAPACITY SHALL BE SIZED TO ACCOMMODATE CIRCUIT LOAD.
5. ALL METER CABINETS SHALL NOT BE INSTALLED IN DRIVEWAYS, RAMPS OR BETWEEN THE B.C.R. & E.C.R.

SIDE VIEW



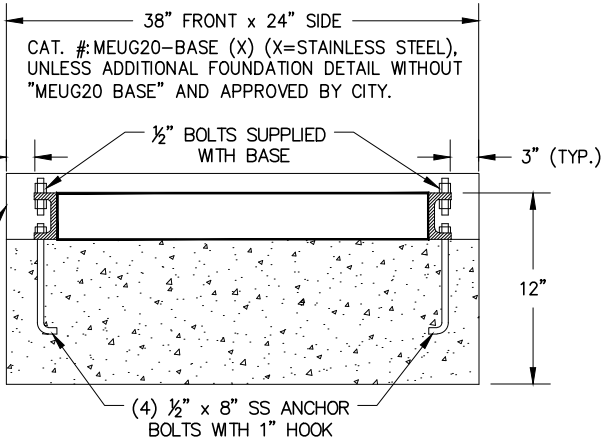
TOP VIEW



FRONT VIEW

MYERS CABINET MODEL NO. MEUG20X-316-M100-SCE-120/240-1PH/3W WITH WINDOW AND METER SOCKET (316 STAINLESS STEEL) 1 PHASE 3 WIRE 120-240 VOLT 100 AMP MAIN CIRCUIT BREAKER AND SPACE FOR MINIMUM SIX 2 POLE CIRCUIT BREAKERS INSTALLED PER MANUFACTURER'S SPECIFICATIONS. INTERNAL COMPONENTS TO BE DETERMINED BY UTILITIES DEPARTMENT.

ADDRESS: 2" HIGH, BLACK VINYL SELF-STICK NUMBERS/LETTERS



BASE DETAIL

FORMER CITY STANDARD PLAN NUMBER (2004 EDITION): STD 207-L

APP. *James M. Hinkle* 51568 11/24/2020
 CITY ENGINEER RCE DATE

NO.	DATE	DESCRIPTION OF REVISIONS

CITY OF NEWPORT BEACH DEPARTMENT OF PUBLIC WORKS

DOUBLE - METER CABINET MOUNTING DETAIL

DRAWN: M. ELIAS
 DATE: 11/3/2020

STANDARD DRAWING NO.
207
 SHEET 1 OF 1