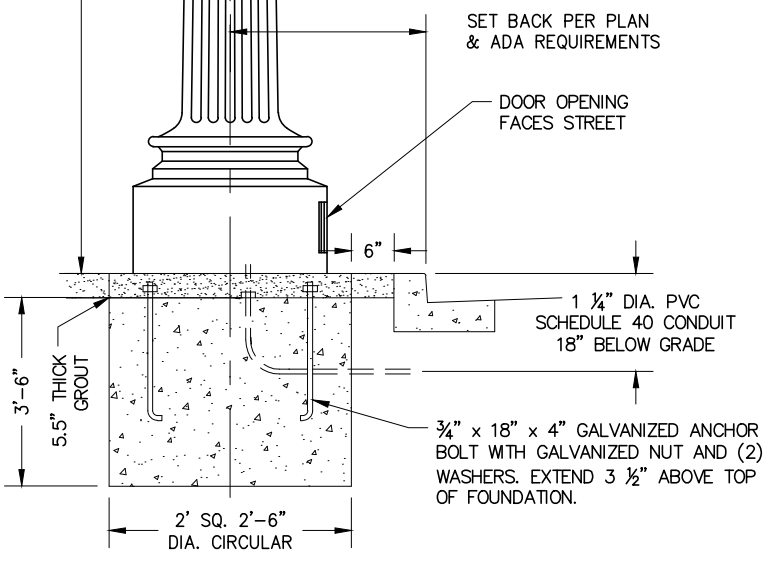


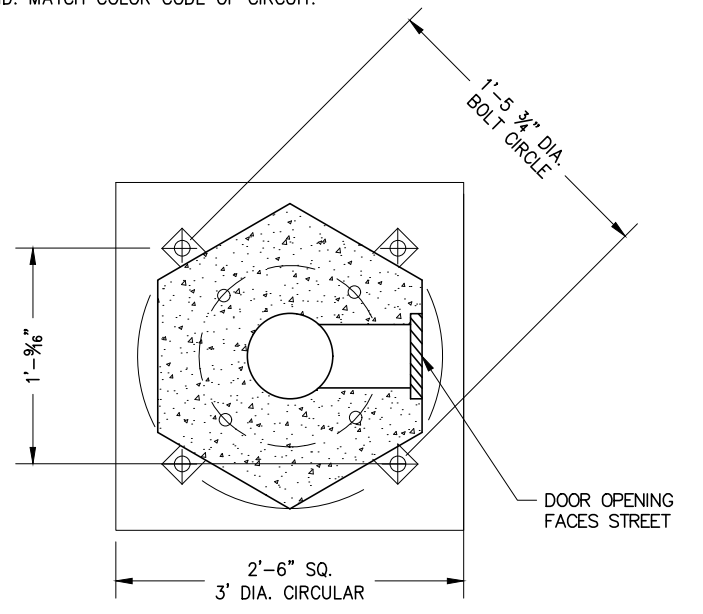
**GENERAL NOTES**

1. ALL BASES SHALL BE POURED TO 4" BELOW SIDEWALK GRADE, TO ALLOW FOR 4" THICK GROUT.
2. 2'-6" DIA. CIRCULAR FOUNDATION MAY BE USED IN PLACE OF 2'-0" SQ. FOUNDATION. NOTE FOR GROUT CAP THICKNESS 4.5"
3. THE AREA AROUND ALL STANDARDS SHALL BE FORMED AND POURED WITH GROUT TO EXTEND 6" BEYOND EDGE OF FOUNDATION ON EACH SIDE OF STANDARD FROM BACK OF CURB TO FRONT OF STANDARD. GROUT SHALL BE POURED FROM TOP OF BASE TO SIDEWALK GRADE. GROUT SHALL CONSIST OF 2 PARTS SAND AND 1 PART 6 CEMENT.
4. EACH POLE SHALL HAVE AN ADJACENT PULL BOX, SEE STD 204.
5. FUSE HOLDER SHALL BE LOCATED IN PULL BOX, SEE STD 205.
6. ALL THREADED CONNECTIONS SHALL HAVE PRE-APPROVED ANTI-SEIZE COMPOUND.
7. SEE POLE LEVELING DETAIL ABOVE.
8. FOR POLE WIRING, SEE STD 205.
9. POLE NUMBERING SHALL BE 1" BLACK VINYL SELF-ADHESIVE NUMBERS ON 1" X 6" REFLECTIVE BACKING INSTALLED IN A VERTICAL ORIENTATION.
10. WIRING FROM ADJACENT PULL BOX TO LUMINAIRE SHALL BE #12 AWG INSULATED STRANDED COPPER (NON-GROUNDED CONDUCTORS) AND #12 AWG SOLID COPPER GROUND. MATCH COLOR CODE OF CIRCUIT.

**LEVELING DETAIL**



**ELEVATION**



**BASE DETAIL**

FORMER CITY STANDARD PLAN NUMBER (2004 EDITION): STD 202-L-A

APP. *James M. Hinkle* 51568 11/24/2020  
CITY ENGINEER RCE DATE

NO.	DATE	DESCRIPTION OF REVISIONS

**CITY OF NEWPORT BEACH DEPARTMENT OF PUBLIC WORKS**

DRAWN: M. ELIAS  
DATE: 11/3/2020

**LIGHT STANDARD TYPE 5**

STANDARD DRAWING NO.  
**203-A**  
SHEET 1 OF 1