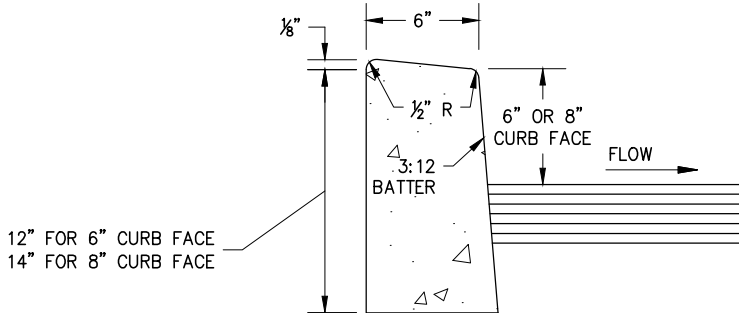


TYPE A PCC CURB AND GUTTER

(CURB FACE SHALL BE 8" UNLESS OTHERWISE NOTED)

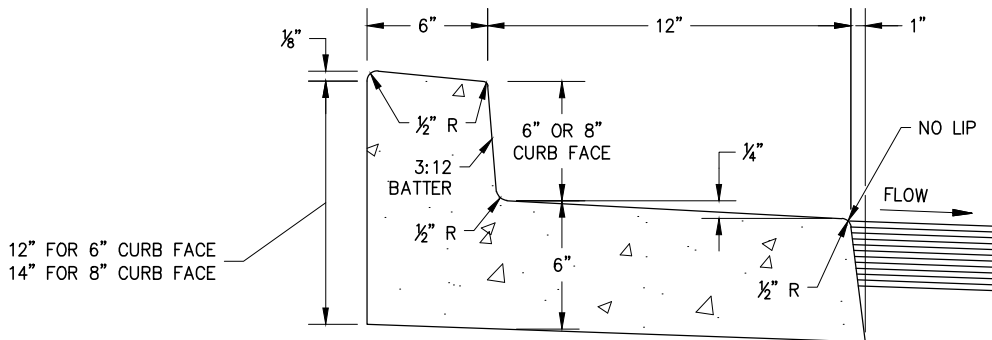
12" FOR 6" CURB FACE
14" FOR 8" CURB FACE



TYPE B PCC CURB

(CURB FACE SHALL BE 6" UNLESS OTHERWISE NOTED)

12" FOR 6" CURB FACE
14" FOR 8" CURB FACE



TYPE C PCC CURB AND GUTTER

12" FOR 6" CURB FACE
14" FOR 8" CURB FACE

NOTES:

- GUTTER SURFACE WITHIN 4" OF FLOW LINE SHALL BE GIVEN A STEEL TROWEL. (APPLIES TO TYPE "A" CURB AND GUTTER).
- PREFORMED 3/8" THICK EXPANSION FILLER SHALL BE INSTALLED IN ALL TYPES OF CURB AT THE BC AND EC OF RETURNS, AT INTERVALS OF 60' BETWEEN RETURNS AND AT THE ENDS OF DRIVEWAYS. SIMILAR EXPANSION JOINTS SHALL BE INSTALLED IN ALL GUTTERS ADJOINING CURB. WEAKENED PLANE JOINTS SHALL BE FORMED AT INTERVALS OF 20' BETWEEN RETURNS. (APPLIES TO TYPES "A", "B", "C", AND "F" CURBS AND GUTTERS).
- IN SUPER ELEVATED SECTIONS THE GUTTER SLOPE SHALL FOLLOW THE CROSS SLOPE OF THE STREET PAVEMENT. (APPLIES TO TYPE "C" CURB AND GUTTER).
- CONCRETE SHALL BE 560-C-3250.

FORMER CITY STANDARD PLAN NUMBERS (2004 EDITION): STD 182-L AND STD 183-L

APP. <i>James M. Hinkle</i>	51568	11/24/2020			
CITY ENGINEER	RCE	DATE	NO.	DATE	DESCRIPTION OF REVISIONS

CITY OF NEWPORT BEACH DEPARTMENT OF PUBLIC WORKS

DRAWN: P. KHARAZMI	STANDARD CURB SECTIONS TYPE A, B, & C	STANDARD DRAWING NO.
DATE: 11/3/2020		182
		SHEET 1 OF 1