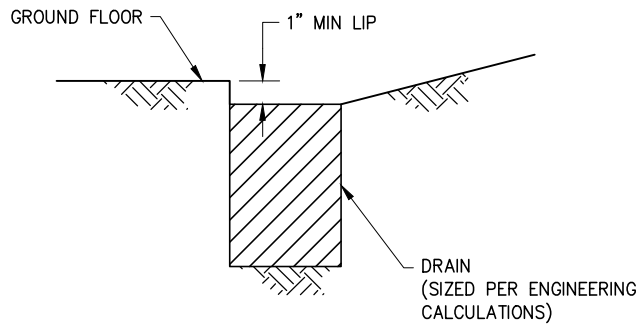


TYPE "B"

GARAGE FINISHED FLOOR ELEVATION BELOW/EQUAL TOP OF CURB



DETAIL 1

FORMER CITY STANDARD PLAN NUMBER (2004 EDITION): STD 160-L-C

APP. <i>James M. Hinkle</i>	51568	11/24/2020			
CITY ENGINEER	RCE	DATE	NO.	DATE	DESCRIPTION OF REVISIONS

CITY OF NEWPORT BEACH DEPARTMENT OF PUBLIC WORKS

DRAWN: P. KHARAZMI	SAMPLE DRIVEWAY PROFILE - TYPE B	STANDARD DRAWING NO.
DATE: 11/3/2020		167-B
		SHEET 1 OF 1