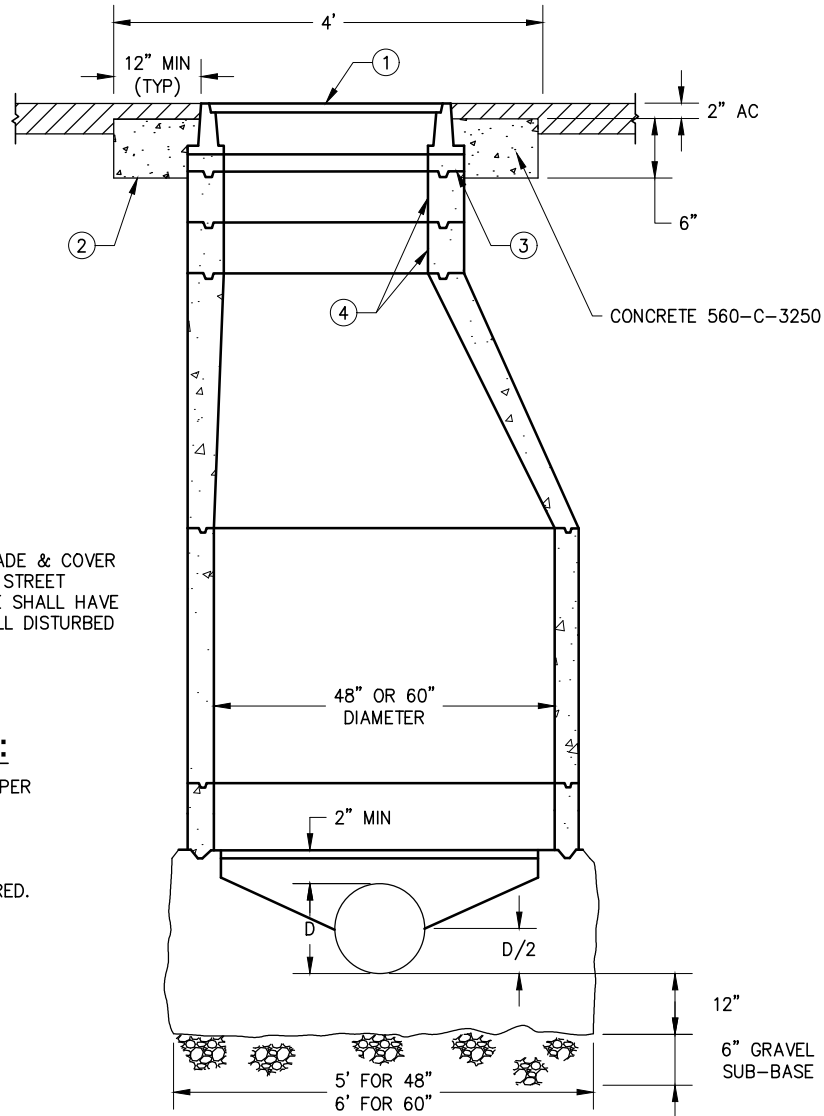


PLAN VIEW

CONCRETE SHALL BE POURED WITH A MINIMUM DISTANCE OF 12" AROUND THE LIP OF THE M.H. RING.



TYPICAL SECTION


ADJUSTMENT NOTES:

1. LOWER MANHOLE TO 6" BELOW SUBGRADE & COVER WITH 4'X4'X1/2" STEEL PLATE PRIOR TO STREET CONSTRUCTION. INTERIOR OF MANHOLE SHALL HAVE MORTAR REPLACED AND POINTED IN ALL DISTURBED AREAS.

CONSTRUCTION NOTES:

- ① INSTALL MANHOLE FRAME AND COVER PER STD 318.
- ② CONSTRUCT CONCRETE COLLAR 12"X6".
- ③ INSTALL 3" GRADE RING WHERE REQUIRED.
- ④ INSTALL 6" GRADE RING.

FORMER CITY STANDARD PLAN NUMBER (2004 EDITION): STD 111-L

APP. 	51568	11/24/2020			
CITY ENGINEER	RCE	DATE	NO.	DATE	DESCRIPTION OF REVISIONS

CITY OF NEWPORT BEACH DEPARTMENT OF PUBLIC WORKS

DRAWN: P. KHARAZMI	<h1>MANHOLE ADJUSTMENT DETAIL</h1>	STANDARD DRAWING NO.
DATE: 11/3/2020		<h2>321</h2>
		SHEET 1 OF 1