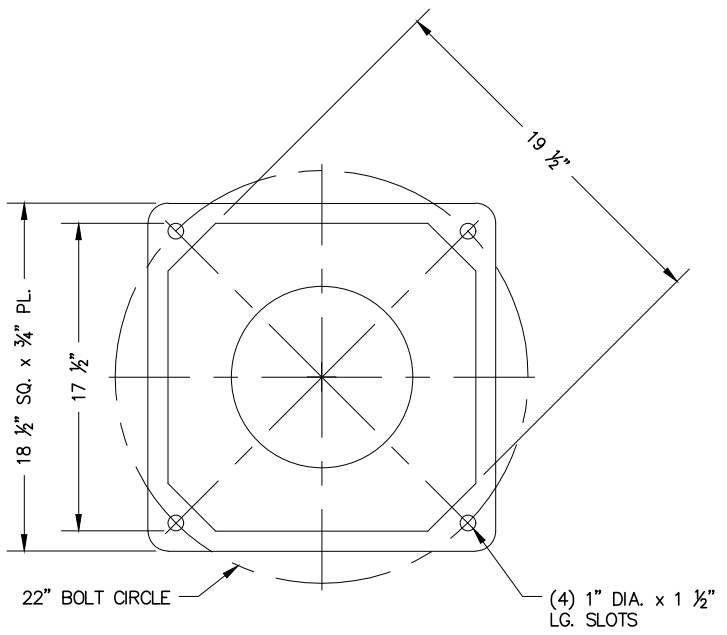
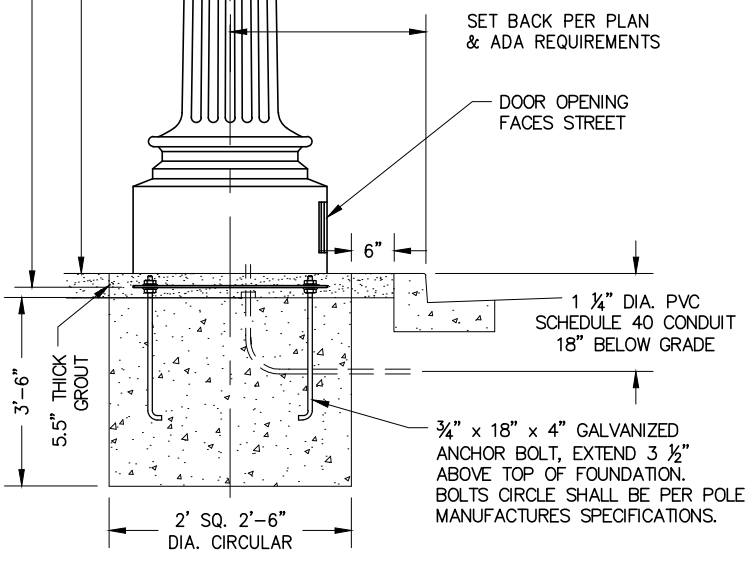


**GENERAL NOTES**

1. ALL BASES SHALL BE POURED TO 4" BELOW SIDEWALK GRADE TO ALLOW FOR 4" THICK GROUT.
2. THE AREA AROUND ALL STANDARDS SHALL BE FORMED AND POURED WITH GROUT TO EXTEND 6" BEYOND EDGE OF FOUNDATION ON EACH SIDE OF STANDARD FROM BACK OF CURB TO FRONT OF STANDARD. GROUT SHALL BE POURED FROM TOP OF BASE TO SIDEWALK GRADE. GROUT SHALL CONSIST OF 2 PARTS SAND AND 1 PART CEMENT.
3. EACH POLE SHALL HAVE A PULL BOX PER STD 204.
4. FUSE HOLDER SHALL BE LOCATED IN PULL BOX, SEE STD 205.
5. ALL THREADED CONNECTIONS SHALL HAVE APPROVED ANTI-SEIZE COMPOUND.
6. WIRING FROM ADJACENT PULL BOX TO LUMINAIRE SHALL BE #12 AWG INSULATED STRANDED COPPER (NON-GROUNDED CONDUCTORS) AND #12 AWG SOLID COPPER GROUND. MATCH COLOR CODE OF CIRCUIT.
7. POLE NUMBERING SHALL BE 1" BLACK VINYL SELF-ADHESIVE NUMBERS ON 1"x6" REFLECTIVE BACKING INSTALLED IN A VERTICAL ORIENTATION.
8. SEE POLE LEVELING DETAIL ABOVE.
9. FOR POLE WIRING, SEE STD 205.
10. POLE DOOR HAND HOLE FASTENERS TO BE TAMPER RESISTANT, STAINLESS STEEL.

**LEVELING DETAIL**



**ELEVATION**

**BASE PLATE DETAIL**

APP. *James M. Hinkle* 51568 11/24/2020  
 CITY ENGINEER RCE DATE

NO.	DATE	DESCRIPTION OF REVISIONS

**CITY OF NEWPORT BEACH DEPARTMENT OF PUBLIC WORKS**

DRAWN: M. ELIAS  
 DATE: 11/3/2020

**LIGHT STANDARD TYPE 6**

STANDARD DRAWING NO.  
**203-B**  
 SHEET 1 OF 1