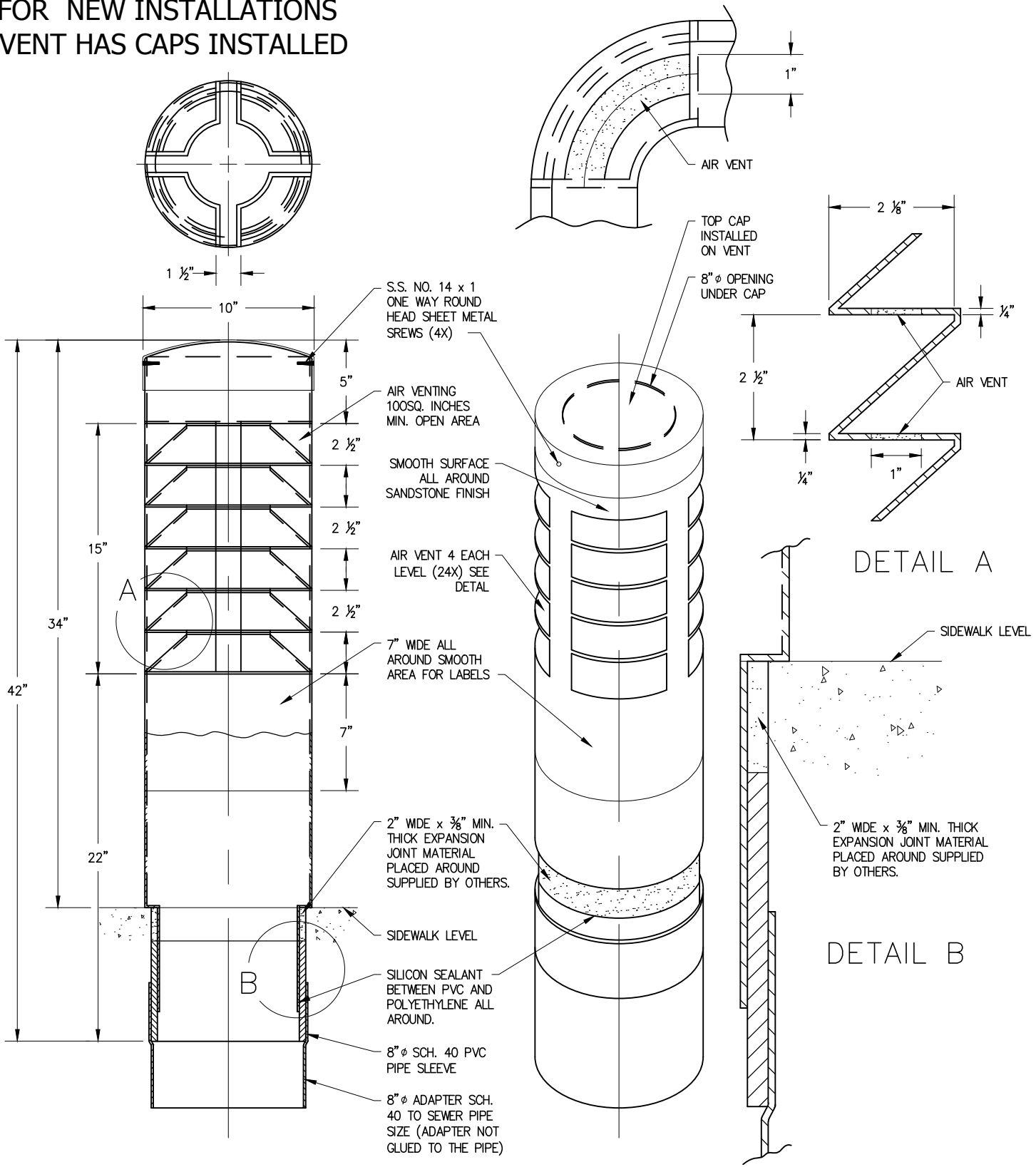


**FOR NEW INSTALLATIONS
VENT HAS CAPS INSTALLED**



GENERAL NOTES

1. STAND PIPE VENT SHALL BE ARMORCAST PRODUCTS COMPANY – MODEL# P6002608–SND (SANDSTONE FINISH)

APP. <i>James M. Hinkle</i>	51568	11/24/2020			
CITY ENGINEER	RCE	DATE	NO.	DATE	DESCRIPTION OF REVISIONS

CITY OF NEWPORT BEACH DEPARTMENT OF PUBLIC WORKS

DRAWN: M. ELIAS	8" DIA. x 42" STAND PIPE VENT	STANDARD DRAWING NO.
DATE: 11/3/2020		528-A
		SHEET 1 OF 1