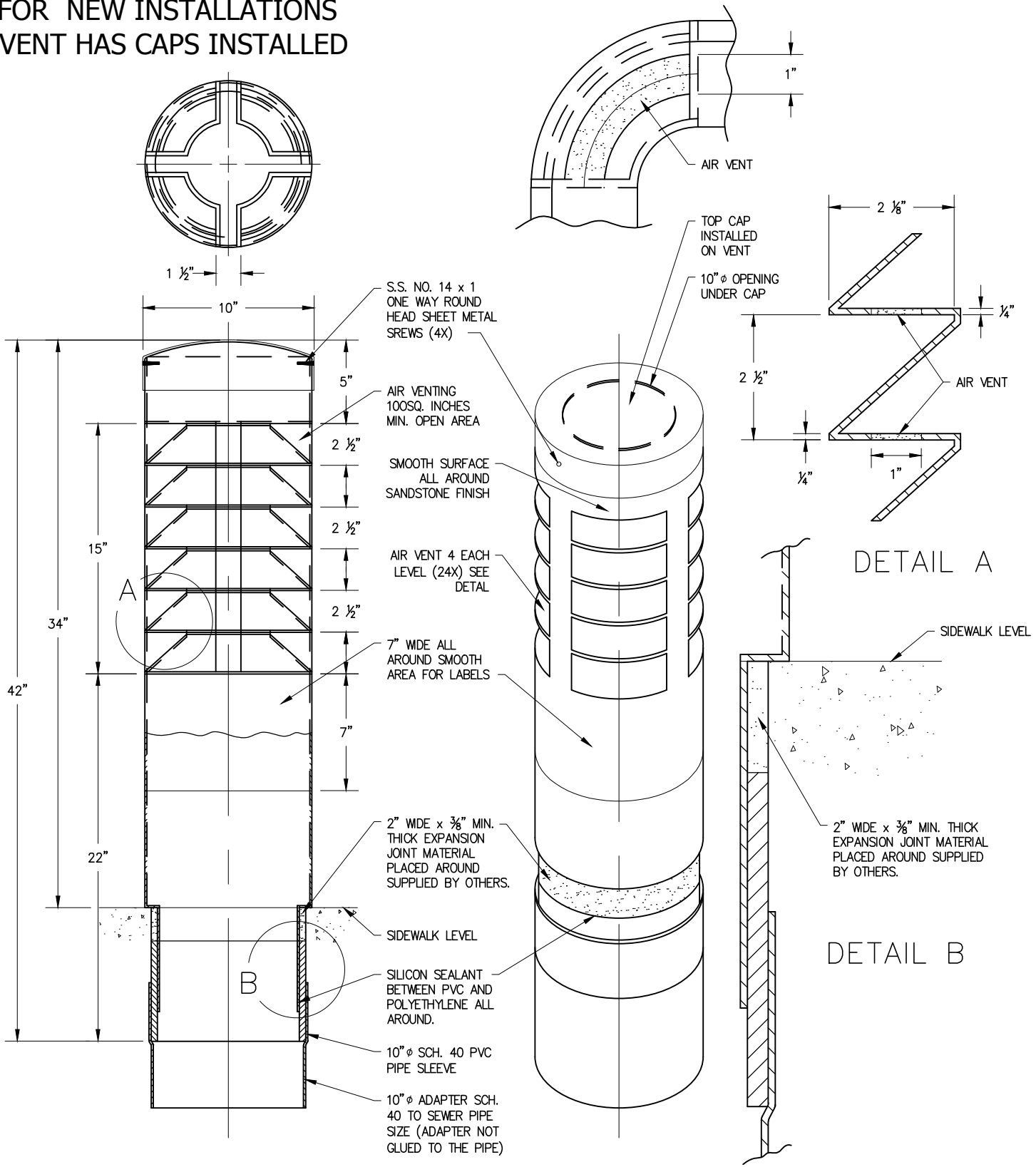


**FOR NEW INSTALLATIONS  
VENT HAS CAPS INSTALLED**



**GENERAL NOTES**

1. STAND PIPE VENT SHALL BE ARMORCAST PRODUCTS COMPANY – MODEL# P6002610–SND (SANDSTONE FINISH)

APP. <i>James M. Hinkle</i>	51568	11/24/2020			
CITY ENGINEER	RCE	DATE	NO.	DATE	DESCRIPTION OF REVISIONS

**CITY OF NEWPORT BEACH DEPARTMENT OF PUBLIC WORKS**

DRAWN: M. ELIAS	<b>10" DIA. x 42" STAND PIPE VENT</b>	STANDARD DRAWING NO.
DATE: 11/3/2020		<b>528-B</b>
		SHEET 1 OF 1