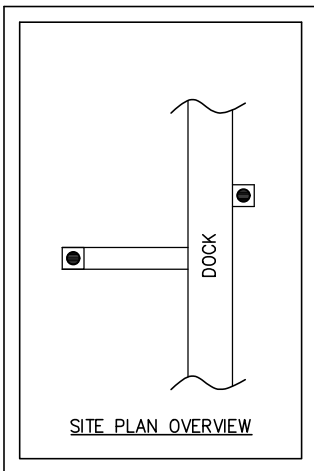


PLAN

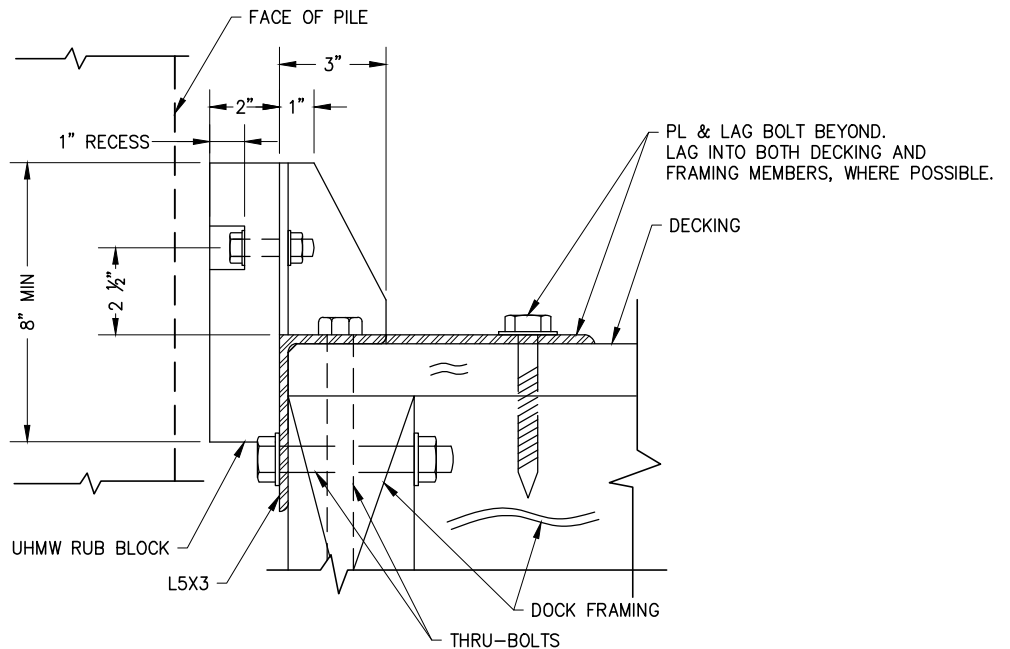
(CONDITION WITH GUIDE FRAME SUPPORTED ON ONE SIDE ONLY)

NOTES:

1. ALL STEEL ANGLES, PLATES AND CONNECTIONS SHALL BE GALVANIZED.
2. ALL WELDING TO BE 3/16" FILLET WELDS ALL AROUND BETWEEN CONNECTED PARTS, UNLESS OTHERWISE NOTED.
3. ALL PLATES TO BE 3/8" THICKNESS, UNLESS OTHERWISE NOTED.



KEY PLAN



SECTION A-A

APP. <i>James M. Hinkle</i>	51568	11/24/2020			
CITY ENGINEER	RCE	DATE	NO.	DATE	DESCRIPTION OF REVISIONS

CITY OF NEWPORT BEACH DEPARTMENT OF PUBLIC WORKS

DRAWN: P. KHARAZMI	PILE GUIDE RUB BLOCK TYPICAL DETAIL (CASE I)	STANDARD DRAWING NO.
DATE: 11/3/2020		613 SHEET 1 OF 1